

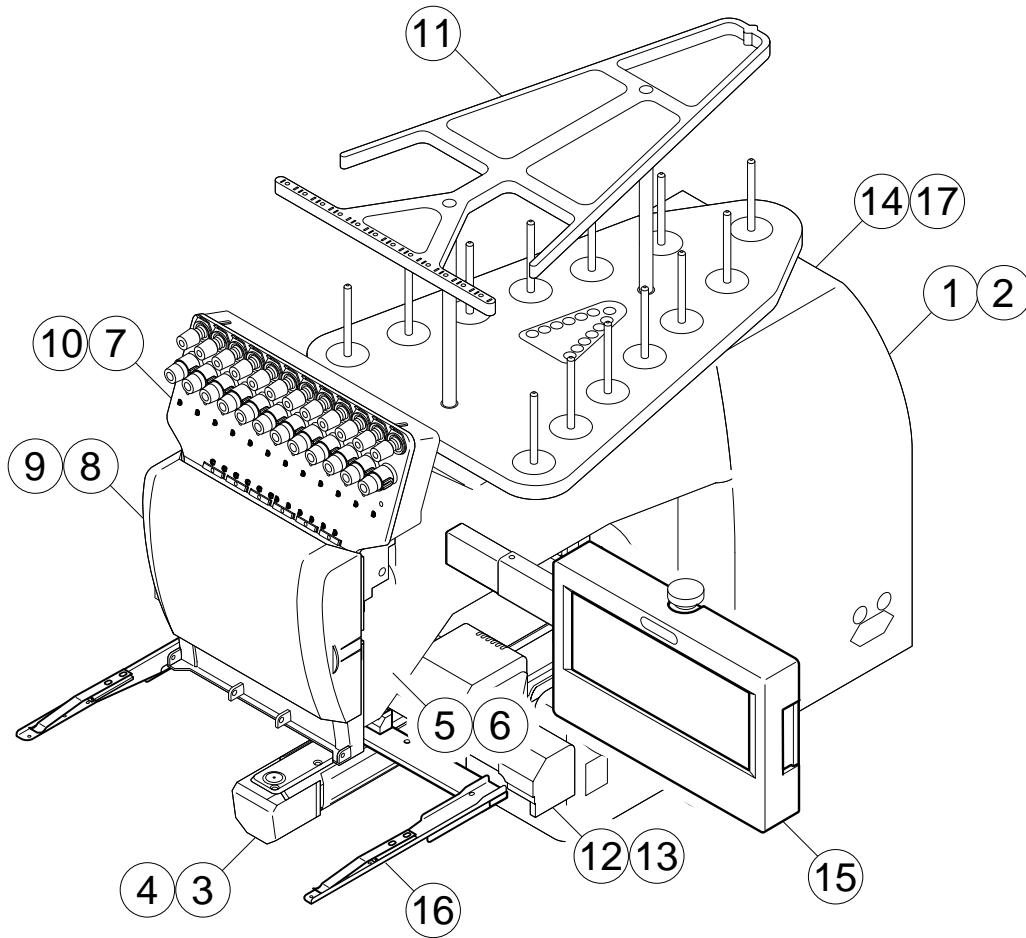
HCS-1201-30

ELECTRONIC EMBROIDERY MACHINE

PARTS LIST



INDEX



COVERS	1a	X CARRIAGE	12a
TRANSMISSION UNIT	2a	Y CARRIAGE 1	13a
BED	3a	Y CARRIAGE 2	13b
THREAD CUTTING DRIVER	4a	ELECTRIC PARTS	14a
HEAD	5a	CONTROL PANEL	15a
PRESSURE FOOT	6a	FRAME BASE	16a
NEEDLE BAR CHANGE UNIT	7a	BOBBIN WINDER	17a
MOVING HEAD 1	8a	ELECTRICAL CONNECTION DIAGRAM	18a
MOVING HEAD 2	8b	CAP FRAME (DRIVE FRAME) OPTION	19a
THREAD CATCHER	9a	CAP FRAME (HOLD FRAME) OPTION	19b
THREAD TENSION UNIT	10a	CAP FRAME (CAP STRETCHER) OPTION	19c
THREAD STAND	11a		

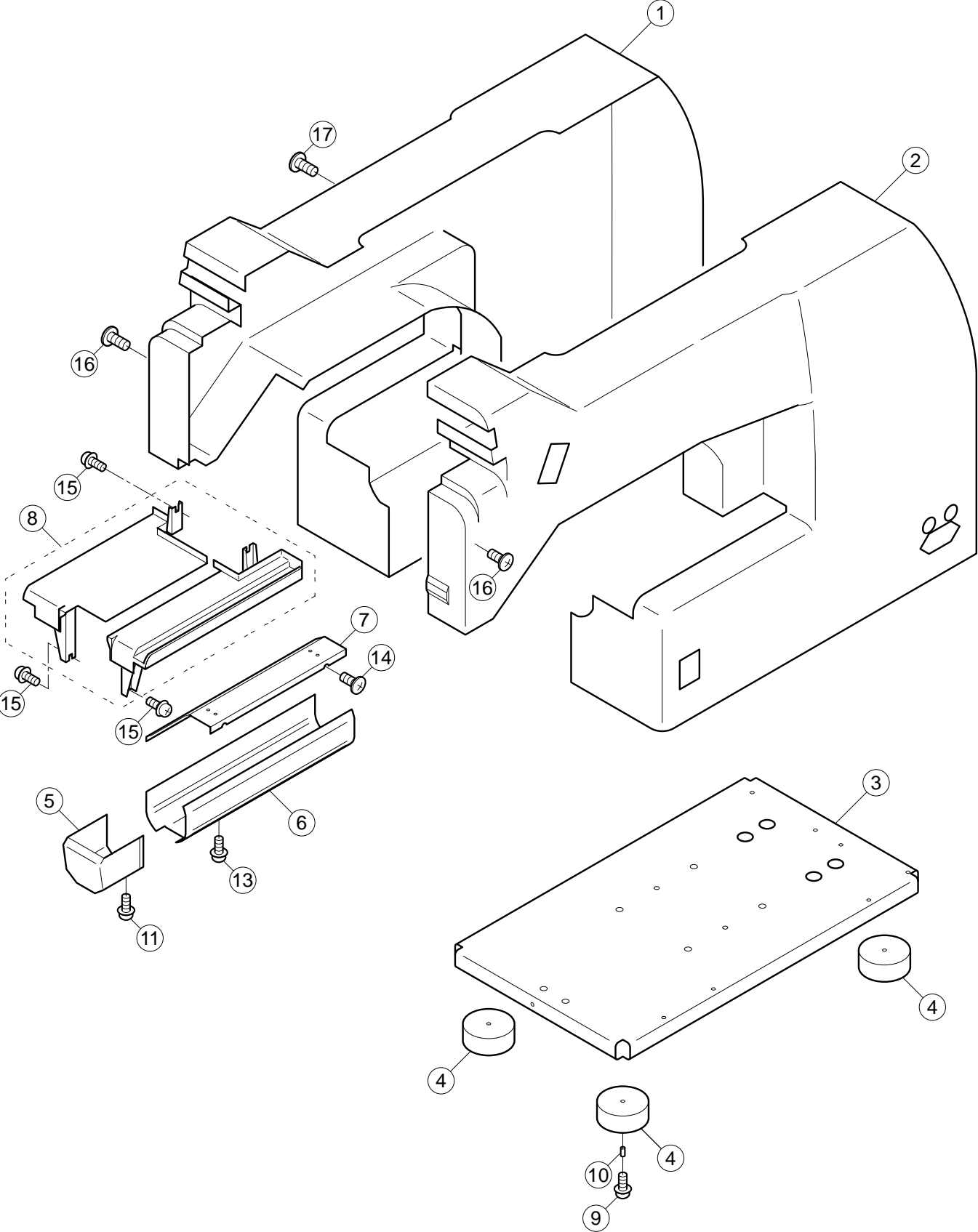
* Specifications are subject to change without notice.

* When you place parts orders, please state machine model (example : HCS-1201-30), machine number and if machine is with option (example : cap frame) or not.

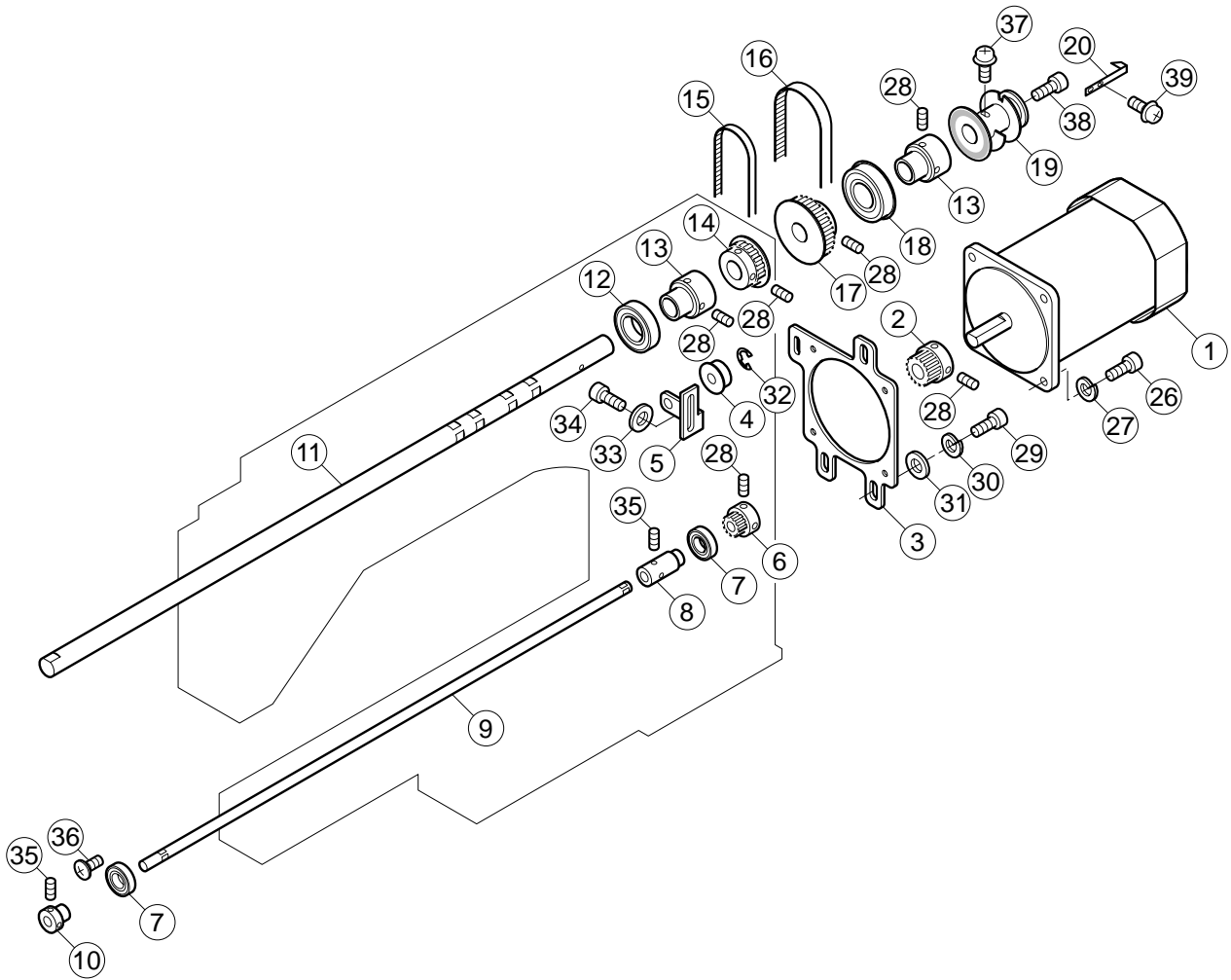
EXPLANATION OF LIST

Ass'y	El't	Parts No.	Parts Names
	9	HMF17870	Adjusting plate
<u>11*</u>	10	M0416186	Thread check spring
	11	HMF17840	Thread tension ass'y
	12	HMF17860	Thread tension lid
	31	<u>HCG08170</u>	Roller pin guide
	<u>32</u>	<u>->10b</u>	Jump solenoid ass'y (by model)
①	②	③	④

- ① This element number here is an assembly part number.
It indicates that the part shown here is a component of an assembly part.
- ② It is element number.
- ③ It is parts number.
- ④ This parts is entered to other page of that mark "->" shows.



Ass'y	El't	Parts No.	Parts Names	Note
	1	HCS01599	Cover (left)	
	2	HCS01587	Cover (right)	
	3	HCS00123	Base	
	4	HCS00111	Foot	
	5	HCS901790	Rotary hook cover ass'y	
	6	HCS00143	Bed cover (lower)	
	7	HCS00161	Bed cover (upper) ass'y	
	8	HCS01575	Cover (front)	
	9	SPDB04016	Pan head screw (cross recessed, M4x16)	
	10	MPA00220	Spacer (4x9)	
	11	SPDD03006	Pan head screw (cross recessed, M3x6)	
	13	SPDB04006	Pan head screw (cross recessed, M4x6)	
	14	SBAB03005	Binding head screw (M3x5)	
	15	SPDB04008	Pan head screw (cross recessed, M4x8)	
	16	SBAB03006	Binding head screw (M3x6)	
	17	SBAB04008	Binding head screw (M4x8)	

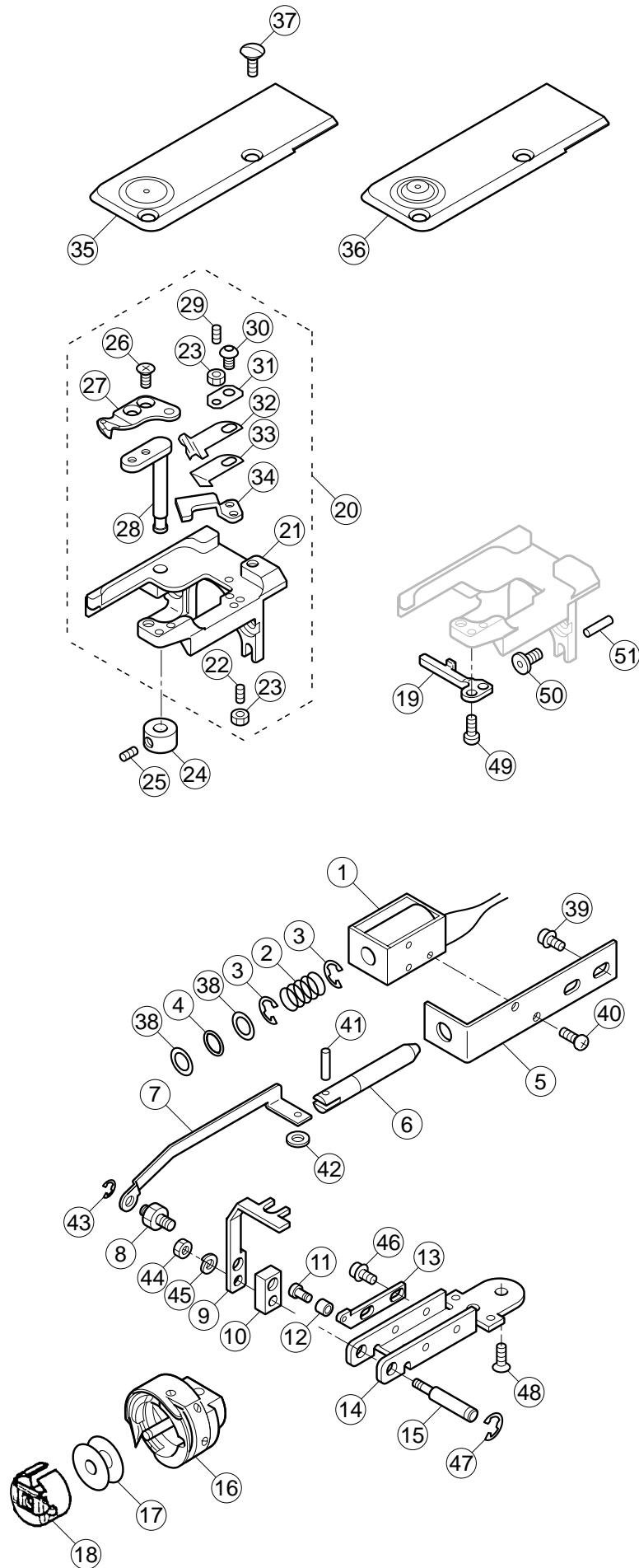


TRANSMISSION UNIT

SCE801

2a-1

Ass'y	El't	Parts No.	Parts Names	Note
	1	HCS79310	Main motor ass'y	
	2	HCS02311	Motor pulley	
	3	HCS02211	Motor bracket	
	4	HCS02091	Tension pulley	
	5	HCS02103	Tension shaft ass'y	
	6	HCS02051	lower pulley	
	7	MPB00790	Bearing (6901ZZ)	
	8	HCS02070	Rotary hook shaft collar A	
	9	HCS04111	Rotary hook shaft	
	10	HCS02083	Rotary hook shaft collar B	
	11	HCS02011	Upper shaft	
	12	MPB00920	Bearing (6904ZZ)	
	13	HCS02062	Upper shaft collar	
	14	HCS02041	Upper pulley	
	15	MPV00680	Timing belt	
	16	MPV00670	Timing belt	
	17	HCS02301	Drive pulley	
	18	MPB00860	Bearing (6004ZZNR)	
	19	HCS02340	Detecting disc ass'y	
	20	HCS02130	Pointer	
	26	SCAA05012	Hexagon socket head cap screw (M5x12)	
	27	WSAA05000	Spring lock washer (M5)	
	28	SSAA05006	Hexagon socket set screw (M5x6)	
	29	SCAA06015	Hexagon socket head cap screw (M6x15)	
	30	WSAA06000	Spring lock washer (M6)	
	31	WPAA06000	Plain washer (M6)	
	32	MPR00470	E-ring (E-6)	
	33	-	Plain washer (4x13)	
	34	SCAA04010	Hexagon socket head cap screw (M4x10)	
	35	SSAA04005	Hexagon socket set screw (M4x5)	
	36	SBAB03004	Binding head screw (M3x4)	
	37	SPDB04010	Pan head screw (cross recessed, M4x10)	
	38	SCAD04008	Hexagon socket head cap screw (M4x8)	
	39	SPDD03006	Pan head screw (cross recessed, M3x6)	

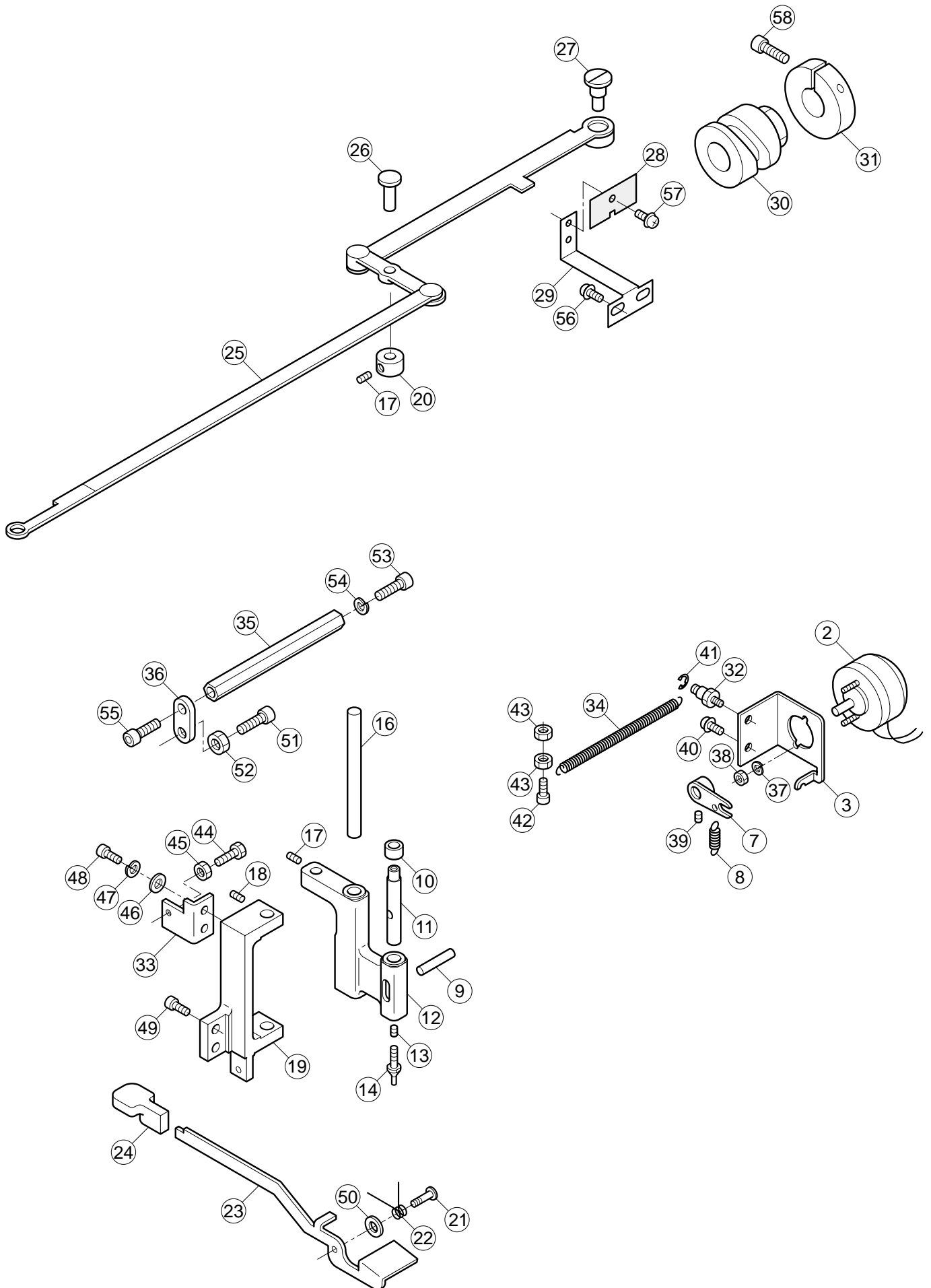


Ass'y	El't	Parts No.	Parts Names	Note
	1	HCS79060	Keeper solenoid	
	2	HCS04022	Solenoid spring	
	3	MPR00080	E-ring (E-5)	
	4	MPR00520	O-ring (S-8)	
	5	HCS04012	Solenoid base	
	6	HCS04031	Keeper plunger	
	7	HCS04041	Keeper rod	
	8	HCS04121	Fulcrum pin	
	9	HCM04413	Keeper	
	10	HCS04141	Fulcrum block	
	11	HCM04490	Stopper pin	
	12	HCM04510	Stopper	
	13	HCM04480	Stopper bracket	
	14	HCS04063	Shaft holder	
	15	HCS04052	Keeper shaft	
	16	HSA04010	Rotary hook	
	17	MPZ00550	Bobbin	
	18	HSA04020	Bobbin case	
	18	HSA04030	Bobbin case (for throwaway bobbin)	
	19	HCS04131	Rotary hook retainer	
	20	HCS05005	Thread cutting device ass'y	
20*	21	HCS05016	Thread cutting device base	
20*	22	SSAA03010	Hexagon socket set screw (M3x10)	
20*	23	NHCA03000	Hexagon nut (M3)	
	24	HCA04060	Drive shaft retainer B	
	25	SSAA04004	Hexagon socket set screw (M4x4)	
20*	26	HMF04260	Flat head screw	
20*	27	HCS05023	Knife ass'y	
20*	28	HCS05100	Knife drive shaft ass'y	
20*	29	SSAA03003	Hexagon socket set screw (M3x3)	
20*	30	SAAA03006	Hexagon socket button head screw (M3x6)	
20*	31	HCS05090	Holder retainer	
20*	32	HCS05070	Bobbin thread holder	
20*	33	HCS05080	Holder support	
20*	34	HCS05062	Fixed knife	
	35	HCS04074	Needle plate	
	36	HCS04085	Needle plate ass'y (for cap frame)	
	37	MPZ00040	Screw for needle plate	
	38	-	Slider (7.2x11x0.5)	
	39	SCBA04008	Hexagon socket head cap screw with flange (M4x8)	
	40	SPAC2F004	Pan head screw (cross recessed, M2.6x4)	
	41	-	Spring pin (2.5x10)	
	42	WPAC2F000	Plain washer (M2.6)	
	43	MPR00290	E-ring (E-3)	
	44	NHAD03000	Hexagon nut (M3)	
	45	WSAD03000	Spring lock washer (M3)	
	46	SCBA03006	Hexagon socket head cap screw with flange (M3x6)	
	47	MPR00420	E-ring (E-4)	
	48	SGAB04008	Flat head screw (cross recessed head, M4x8)	
	49	SAAA03006	Hexagon socket button head screw (M3x6)	
	50	SCFA04008	Hexagon socket low head screw (M4x8)	
	51	-	Spring pin (3x12)	

THREAD CUTTING DRIVER

CSE301

4a-1

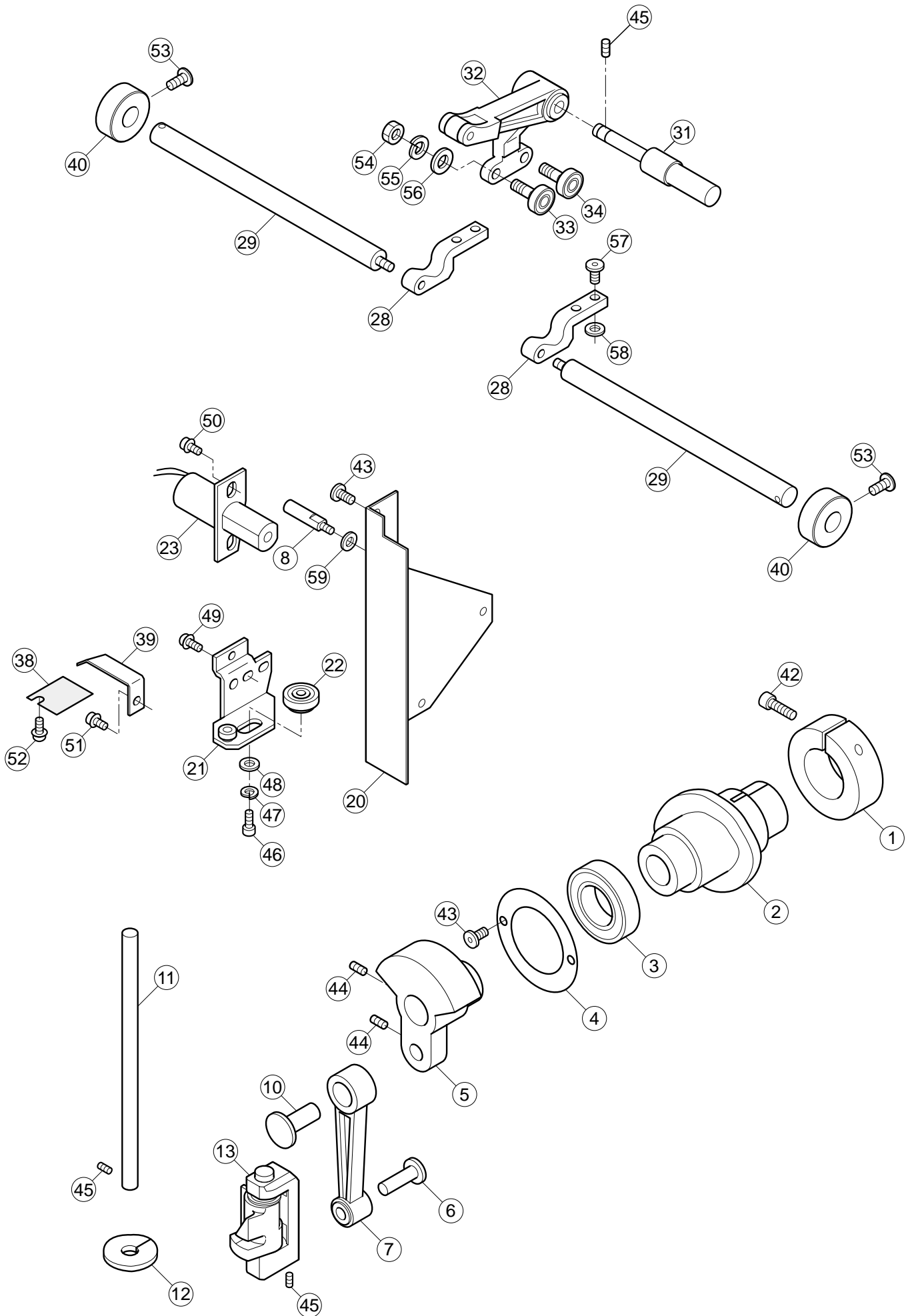


THREAD CUTTING DRIVER

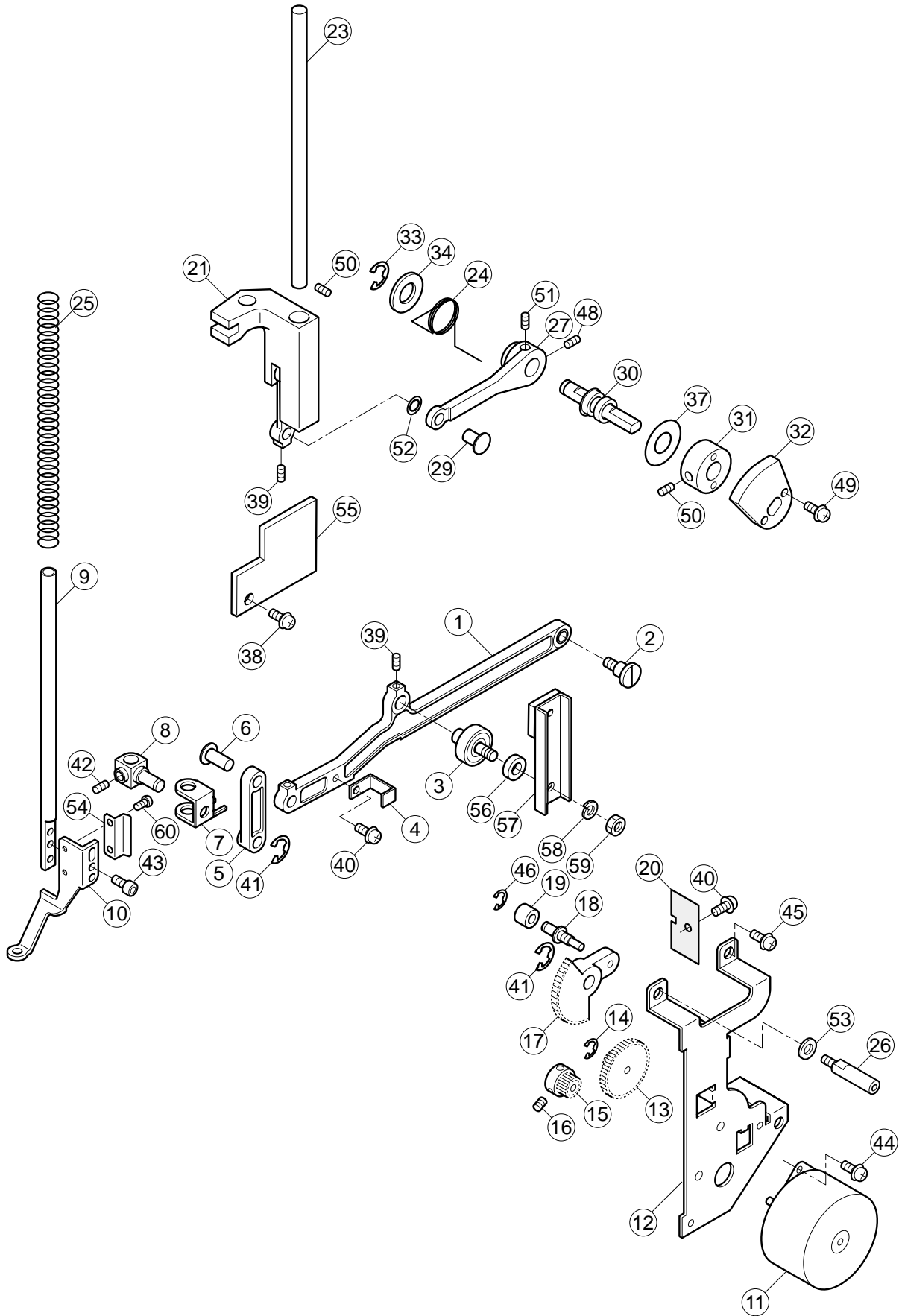
CSE301

4a-1

Ass'y	El't	Parts No.	Parts Names	Note
	2	HCS79100	Thread cutting solenoid	
	3	HCS06080	Solenoid bracket	
	7	HCS06051	Lever ass'y	
	8	HCS06351	Spring	
	9	MPZ02360	Pin	
	10	HCS06031	Roller	
	11	HCS06021	Drive pin	
	12	HCS06400	Base ass'y	
	13	SSAA03004	Hexagon socket set screw (M3x4)	
	14	HCS06302	Rock pin	
	16	HCS06090	Drive shaft	
	17	SSAA04004	Hexagon socket set screw (M4x4)	
	18	SSAA03006	Hexagon socket set screw (M3x6)	
	19	HCS06113	Drive arm	
	20	HCA04060	Drive shaft retainer B	
	21	HCS06131	Lever screw	
	22	HCS06141	Lever spring	
	23	HCS06323	Lever	
	24	HCS06332	knob	
	25	HCS06271	Drive Link ass'y	
	26	HCS06282	Fulcrum shaft	
	27	HCS06241	Link pin	
	28	HCB81110	Sensor board ass'y	
	29	HCS06251	Sensor bracket	
	30	HCS06153	Cam	
	31	HCS06292	Fasten collar	
	32	HCS06380	Pin	
	33	HCS06361	Stopper	
	34	HCS06371	Spring	
	35	MPA00210	Spacer (ASF-580)	
	36	HCS06390	Stay	
	37	WSAC2C000	Spring lock washer (M2.3)	
	38	NHAC2C000	Hexagon nut (M2.3)	
	39	SSAA03004	Hexagon socket set screw (M3x4)	
	40	SPDB03006	Pan head screw (cross recessed, M3x6)	
	41	MPR00290	E-ring (E-3)	
	42	SCAA03015	Hexagon socket head cap screw (M3x15)	
	43	NHAD03000	Hexagon nut (M3)	
	44	SHAA03015	Hexagon head bolt (M3x15)	
	45	NHAA03000	Hexagon nut (M3)	
	46	WPAA03000	Plain washer (M3)	
	47	WSAA03000	Spring lock washer (M3)	
	48	SCAA03006	Hexagon socket head cap screw (M3x6)	
	49	SCAA04010	Hexagon socket head cap screw (M4x10)	
	50	WPAD03000	Plain washer (M3)	
	51	SCAA05025	Hexagon socket head cap screw (M5x25)	
	52	NHAA05000	Hexagon nut (M5)	
	53	SCAA05020	Hexagon socket head cap screw (M5x20)	
	54	WSAA05000	Spring lock washer (M5)	
	55	SCAA05010	Hexagon socket head cap screw (M5x10)	
	56	SPDB04008	Pan head screw (cross recessed, M4x8)	
	57	SPDD03006	Pan head screw (cross recessed, M3x6)	
	58	SCAA04015	Hexagon socket head cap screw (M4x15)	



Ass'y	El't	Parts No.	Parts Names	Note
	1	HCS08340	Fasten collar	
	2	HCS08420	Barrel cam	
	3	MPB00920	Bearing (6904ZZ)	
	4	HCS08180	Bearing retainer	
	5	HCS08011	Crank	
	6	HCS08042	Rod pin	
	7	HCS08640	Rod ass'y	
	8	HCS10140	Screw	
	10	HCS08031	Crank pin	
	11	HCS08122	Head shaft	
	12	HCS08681	Felt	
	13	HCS08064	Needle bar driver ass'y	
	20	HCS08242	Face plate	
	21	HCS08213	Positioning plate ass'y	
	22	HCSU08070	Positioning roller ass'y	
	23	HCS08501	Jump solenoid ass'y	
	28	HCS08331	Take-up lever guide base	
	29	HCS08322	Take-up lever guide bar	
	31	HCS08312	Take-up lever shaft	
	32	HCSU08080	Crank ass'y	
	33	HCS08660	Eccentric roller shaft ass'y	
	34	HCS08650	Roller shaft ass'y	
	38	HCB81120	LED board ass'y	
	39	HCS27250	LED board bracket	
	40	HCS55530	Shipping collar	
	42	SCAA05020	Hexagon socket head cap screw (M5x20)	
	43	SCFA04008	Hexagon socket low head screw (M4x8)	
	44	SSAA05006	Hexagon socket set screw (M5x6)	
	45	SSAA04006	Hexagon socket set screw (M4x6)	
	46	SCAA04010	Hexagon socket head cap screw (M4x10)	
	47	WSAA04000	Spring lock washer (M4)	
	48	WPCA4E13016	Plain washer (4x13)	
	49	SPFD04008	Pan head screw (cross recessed, M4x8)	
	50	SCBA04006	Hexagon socket head cap screw with flange (M4x6)	
	51	SCBA04008	Hexagon socket head cap screw with flange (M4x8)	
	52	SPAD03006	Pan head screw (cross recessed, M3x6)	
	53	SPHB05010	Pan head screw (cross recessed, M5x10)	
	54	NHBA05000	Hexagon nut (M5)	
	55	WSAA05000	Spring lock washer (M5)	
	56	WPBA05000	Plain washer (M5)	
	57	SCFA04010	Hexagon socket low head screw (M4x10)	
	58	WPBA04000	Plain washer (M4)	
	59	WPAA03000	Plain washer (M3)	



PRESSURE FOOT

CSEA01

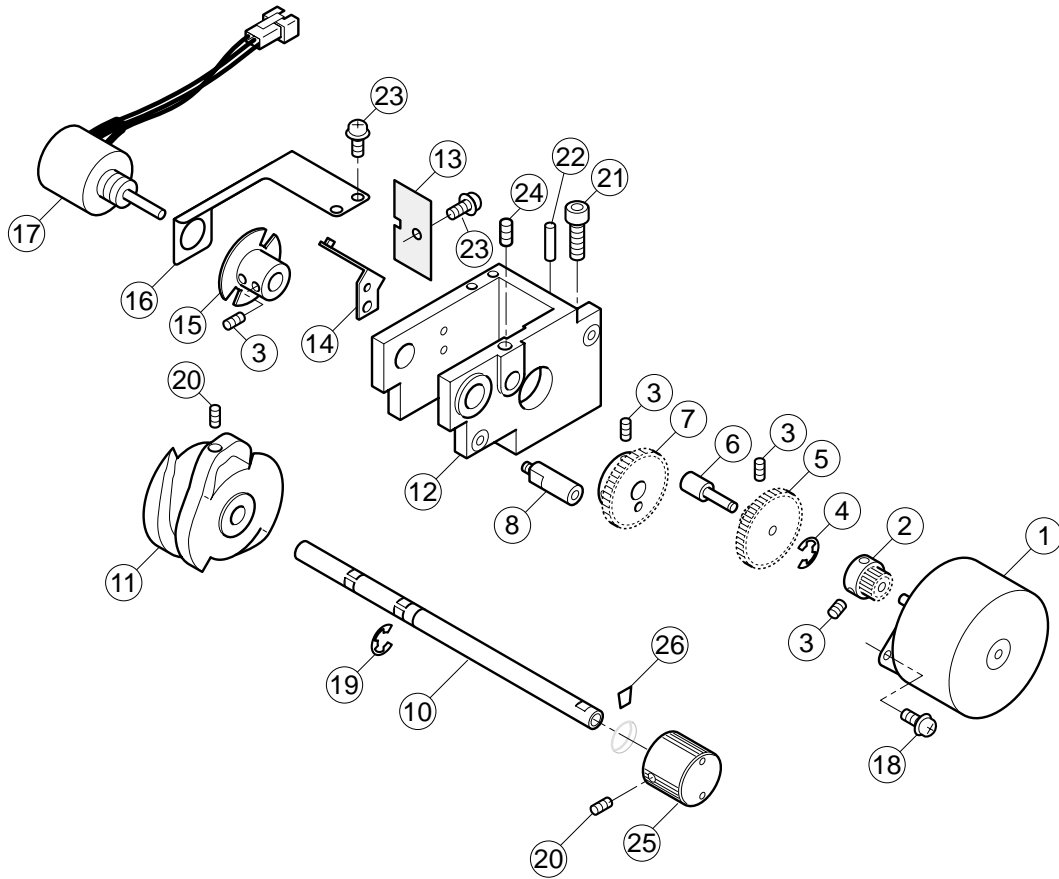
6a-1

Ass'y	El't	Parts No.	Parts Names	Note
	1	HCSU13030	Lever ass'y	
	2	HCS13030	Fulcrum shaft	
	3	HCS13361	Lever shaft C ass'y	
	4	HCS13151	Detecting plate	
	5	HCS13023	Link	
	6	HCS13041	Lever shaft A	
	7	HCS13293	Guide	
	8	HCS13081	Guide bar boss	
	9	HCS13370	Pressure foot guide bar	
	10	HCS13380	Pressure foot	
	11	EPM00480	Pulse motor	
	12	HCS13104	Bracket ass'y	
	13	HCS10042	Gear	
	14	MPR00300	E-ring (E-2)	
	15	HCS10033	Drive gear A	
	16	SSAA03004	Hexagon socket set screw (M3x4)	
	17	HCS13273	Gear	
	18	HCS13171	Pin	
	19	HCS13160	Roller	
	20	HCB81110	Sensor board ass'y	
	21	HCSU09030	Block ass'y	
	23	HCS09061	Guide shaft	
	24	HCS09082	Spring	
	25	HCS13232	Pressure foot spring 2	
	26	HCS01770	Screw	
	27	HCS09034	Link B	
	29	HCS09052	Pin B	
	30	HCSU09020	Drive shaft ass'y	
	31	HCS13211	Cam collar	
	32	HCS13242	Cam	
	33	MPR00470	E-ring (E-6)	
	34	WPAA08000	Plain washer (M8)	
	35	FRA43520	Bearing	
	36	MPB00970	Bearing (678ZZ)	
	37	MPB00600	Plastic thrust washer (TW0920)	
	38	SPDB04010	Pan head screw (cross recessed, M4x10)	
	39	SSAA03004	Hexagon socket set screw (M3x4)	
	40	SPDD03006	Pan head screw (cross recessed, M3x6)	
	42	SSAA04006	Hexagon socket set screw (M4x6)	
	43	SCAD03006	Hexagon socket head cap screw (M3x6)	
	44	SPFB03006	Pan head screw (cross recessed, M3x6)	
	45	SPDB04008	Pan head screw (cross recessed, M4x8)	
	46	MPR00290	E-ring (E-3)	
	48	SSAA04005	Hexagon socket set screw (M4x5)	
	49	SPFD03012	Pan head screw (cross recessed, M3x12)	
	50	SSAA04006	Hexagon socket set screw (M4x6)	
	51	SSBA04005	Hexagon socket set screw (M4x5)	
	52	PSA05B013	Plastic thrust washer (5.2x8x0.13)	
	53	WPBA04000	Plain washer (M4)	
	54	HCS13390	Pressure foot bracket	
	55	HCS13310	Pressure foot guide plate B	
	56	HCS13340	Spacer	
	57	HCS13350	Pressure foot guide plate A ass'y	
	58	WSAD04000	Spring lock washer (M4)	
	59	NHAD04000	Hexagon nut (M4)	
	60	SPAD02003	Pan head screw (cross recessed, M2x3)	

NEEDLE BAR CHANGE UNIT

CSE801

7a-1

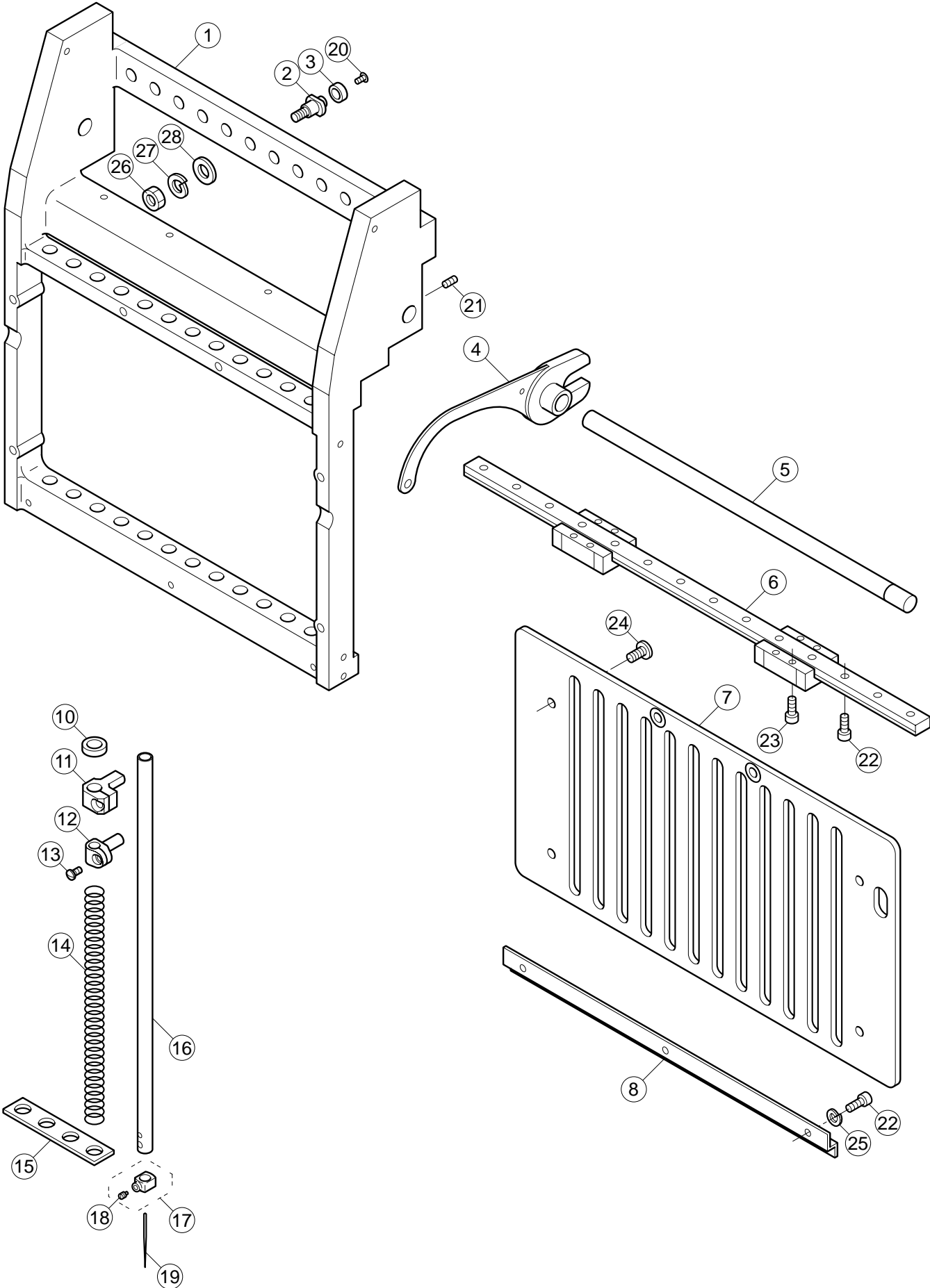


NEEDLE BAR CHANGE UNIT

CSEA15

7a-1

Ass'y	El't	Parts No.	Parts Names	Note
	1	EPM00480	Pulse motor	
	2	HCS10033	Drive gear A	
	3	SSAA03003	Hexagon socket set screw (M3x3)	
	4	MPR00300	E-ring (E-2)	
	5	HCS10042	Gear	
	6	HCS10020	Drive shaft A	
	7	HCS10051	Drive gear B	
	8	HCS10140	Screw	
	10	HCS10062	Drive shaft B (with screw)	
	11	HCS10073	Cam	
	12	HCS10180	Base ass'y	
	13	HCB81110	Sensor board ass'y	
	14	HCS10090	Sensor bracket	
	15	HCS10081	Slit collar	
	16	HCS10100	Hold plate B	
	17	HCS79400	Potentiometer ass'y	
	18	SPFB03006	Pan head screw (cross recessed, M3x6)	
	19	MPR00080	E-ring (E-5)	
	20	SSAA03006	Hexagon socket set screw (M3x6)	
	21	SCAA04012	Hexagon socket head cap screw (M4x12)	
	22	MPPW03012	Spring pin (3x12)	
	23	SPDD03006	Pan head screw (cross recessed, M3x6)	
	24	SSAA04005	Hexagon socket set screw (M4x5)	
	25	HCS10191	Knob	
	26	HCS55580	Position marker	

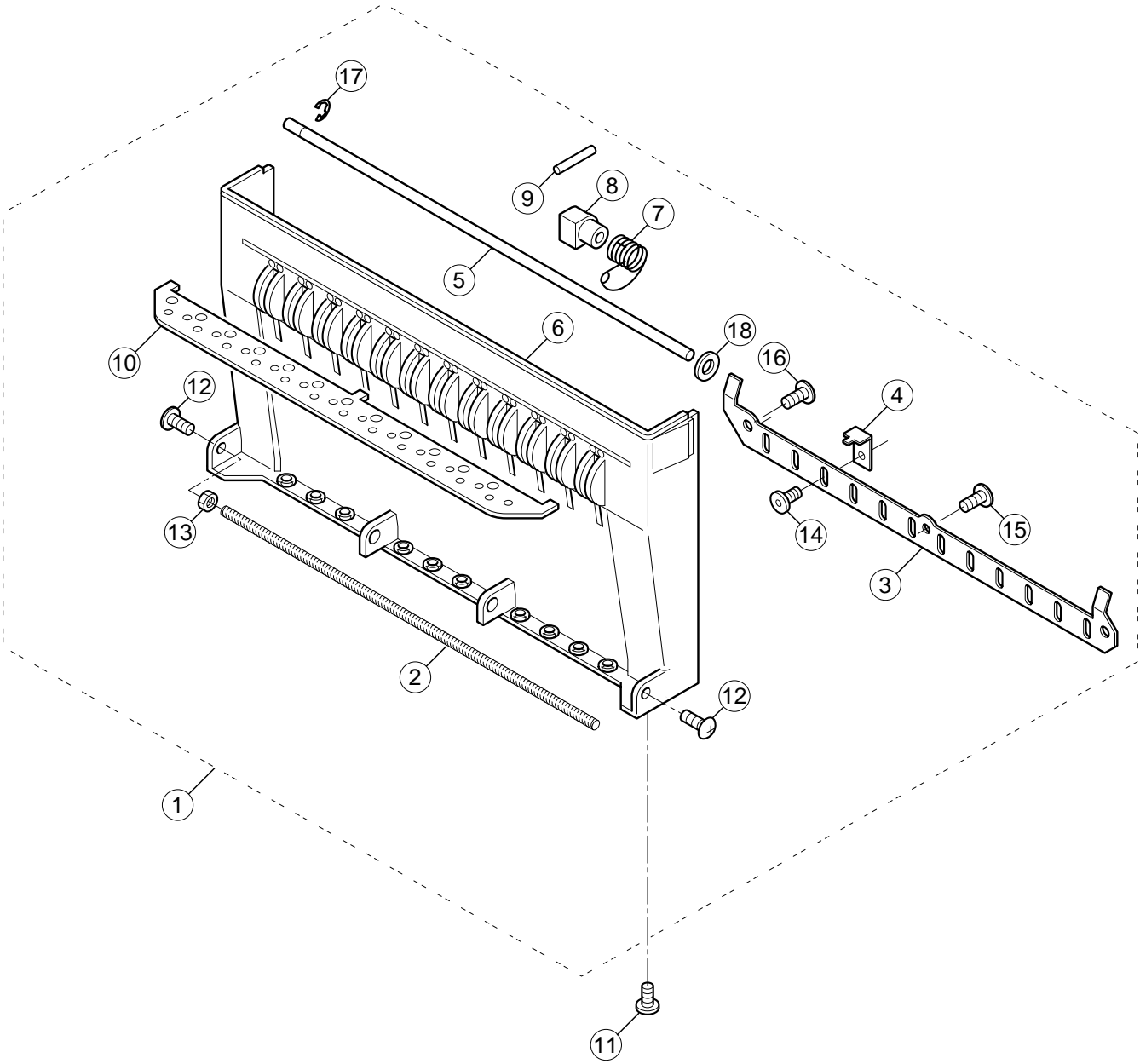


MOVING HEAD 1

CSEA01

8a-1

Ass'y	El't	Parts No.	Parts Names	Note
	1	HCS12014	Moving head	
	2	HCS10113	Roller shaft	
	3	HCS10121	Roller	
	4	HCSU12020	Take-up lever ass'y	
	5	HCS12061	Take-up lever shaft	
	6	HCS12021	Upper rail	
	7	HCS12053	Needle bar boss check plate	
	8	HCS12390	Lower rail	
	10	HCS12190	Cushion	
	11	HCS12361	Needle bar boss B	
	12	HCS12120	Needle bar boss	
	13	HCS12131	Screw for needle bar boss	
	14	HCS12181	Needle bar spring	
	15	HCS12200	Felt	
	16	HCS12113	Needle bar	
	17	HCS12171	Needle holder ass'y	
17*	18	HCS12160	Screw for needle holder	
	19	MPZ00150	Needle (#11)	
	20	HCA10130	Screw	
	21	SSAA04004	Hexagon socket set screw (M4x4)	
	22	SCAA03008	Hexagon socket head cap screw (M3x8)	
	23	SCAA03012	Hexagon socket head cap screw (M3x12)	
	24	SCFA04008	Hexagon socket low head screw (M4x8)	
	25	WSAA03000	Spring lock washer (M3)	
	26	NHAD04000	Hexagon nut (M4)	
	27	WSAD04000	Spring lock washer (M4)	
	28	WPAD04000	Plain washer (M4)	

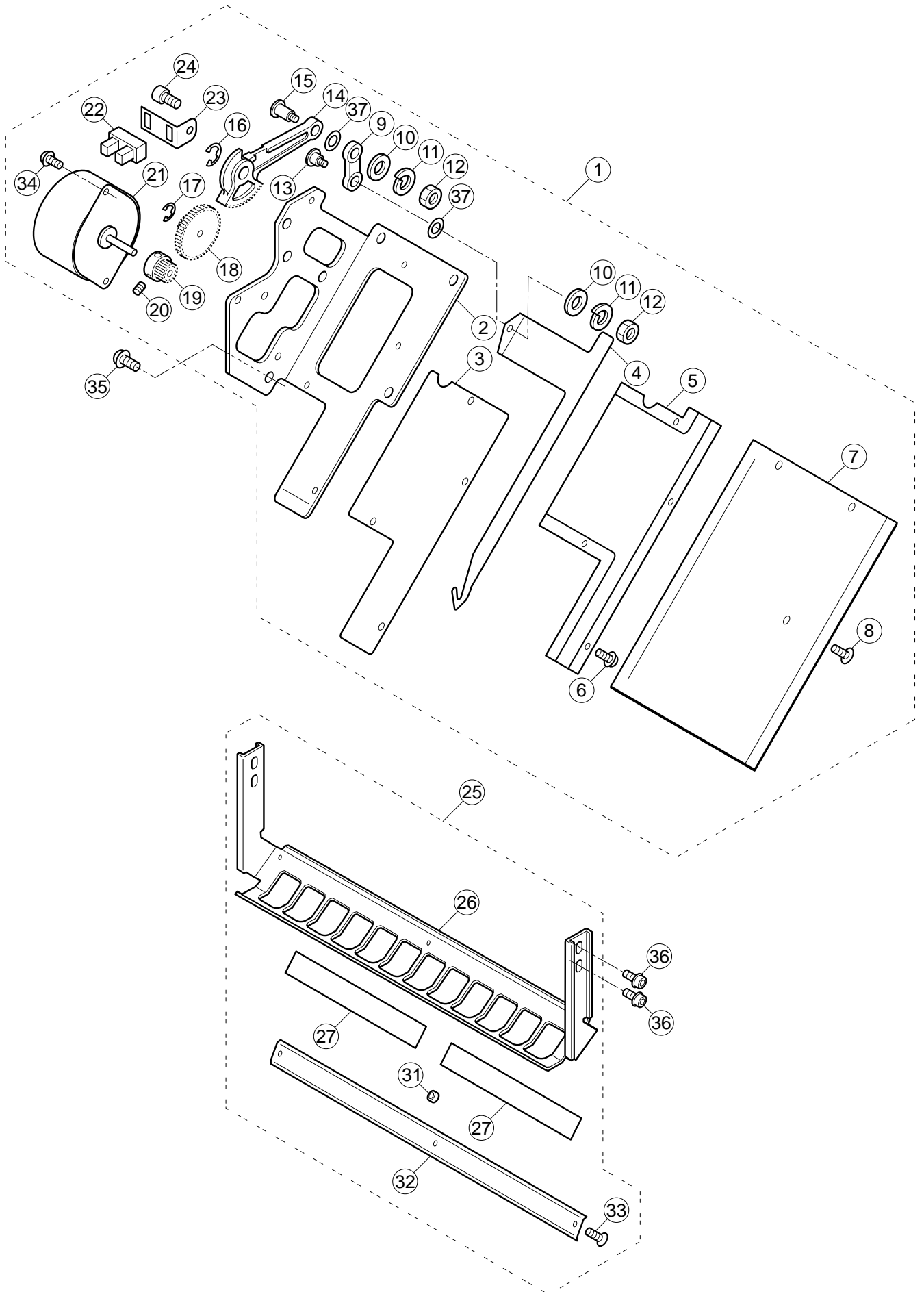


Ass'y	El't	Parts No.	Parts Names	Note
	1	HCB912540	Lower front panel ass'y	
1*	2	HCS12311	Spring	
1*	3	HCS12371	Adjuster base	
1*	4	HCS12381	Adjuster	
1*	5	HCS12281	Pin	
1*	6	HCS12540	Lower front panel with eyelet	
1*	7	HCS12241	Thread adjusting spring	
1*	8	HCS12231	Spring holder	
1*	9	HCS12262	Thread support	
1*	10	HCS12271	Thread guide plate	
	11	SBAB04008	Binding head screw (M4x8)	
1*	12	STAB04012	Truss head screw (cross recessed, M4x12)	
1*	13	NHBB04000	Hexagon nut (M4)	
1*	14	SCEA03006	Hexagon socket low head screw (M3x6)	
1*	15	SBAB03005	Binding head screw (M3x5)	
1*	16	SBAB04005	Binding head screw (M4x5)	
1*	17	MPR00290	E-ring (E-3)	
1*	18	WPAD04000	Plain washer (M4)	

THREAD CATCHER

CSE801

9a-1



THREAD CATCHER

CSE801

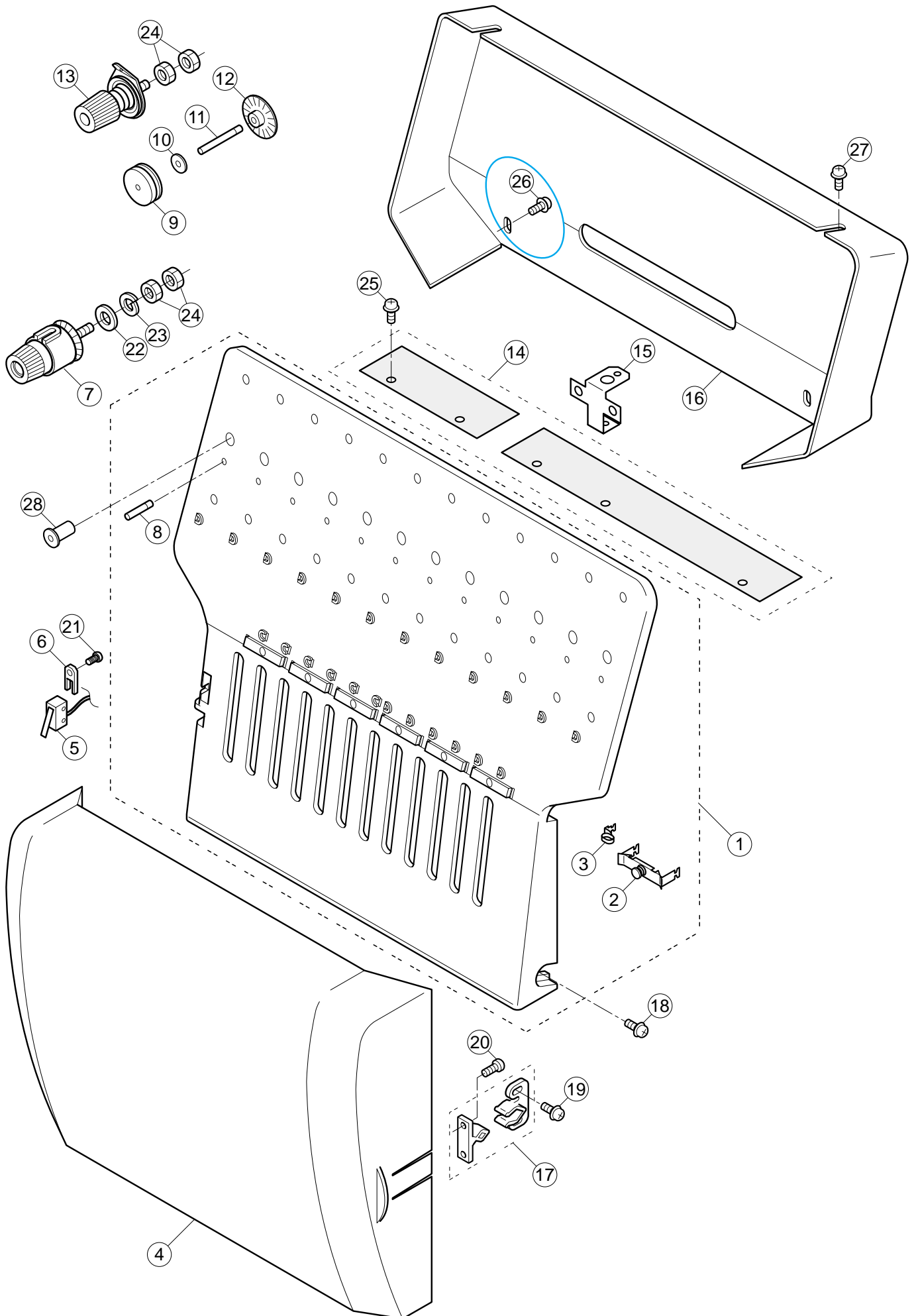
9a-1

Ass'y	El't	Parts No.	Parts Names	Note
	1	HCSU14010	Thread catcher ass'y	
1*	2	HCS14017	Bracket	
1*	3	HCS14124	Sheet	
1*	4	HCS14291	Hook	
1*	5	HCS14136	Guide	
1*	6	SPDB03008	Pan head screw (cross recessed, M3x8)	
1*	7	HCS14150	Guard plate	
1*	8	STAB03006	Truss head screw (cross recessed, M3x6)	
1*	9	HCS14081	Link	
1*	10	WPBD03000	Plain washer (M3)	
1*	11	WSAD03000	Spring lock washer (M3)	
1*	12	NHCD03000	Hexagon nut (M3)	
1*	13	HCS14100	Screw	
1*	14	HCS14070	Rod	
1*	15	HCS14090	Link screw	
1*	16	MPR00420	E-ring (E-4)	
1*	17	MPR00300	E-ring (E-2)	
1*	18	HCS10042	Gear	
1*	19	HCS10033	Drive gear A	
1*	20	SSAA03003	Hexagon socket set screw (M3x3)	
1*	21	EPM00480	Pulse motor	
1*	22	EPP00520	Photo interrupter	
1*	23	HCS14140	Sensor bracket	
1*	24	SCAA03005	Hexagon socket head cap screw (M3x5)	
	25	HCS914021	Thread holder ass'y	
25*	26	HCS14301	Holder (upper)	
25*	27	HCS14223	Magic tape A	
25*	31	HCS14193	Spacer	
25*	32	HCS14172	Holder (lower)	
25*	33	SGAB02006	Flat head screw (cross recessed head, M2x6)	
1*	34	SPFB03006	Pan head screw (cross recessed, M3x6)	
	35	SPDB04008	Pan head screw (cross recessed, M4x8)	
	36	SCBA03006	Hexagon socket head cap screw with flange (M3x6)	
	37	MPA00170	Plastic washer (CC-0509-03)	

THREAD TENSION

CSEA01

10a-1



THREAD TENSION

CSF201

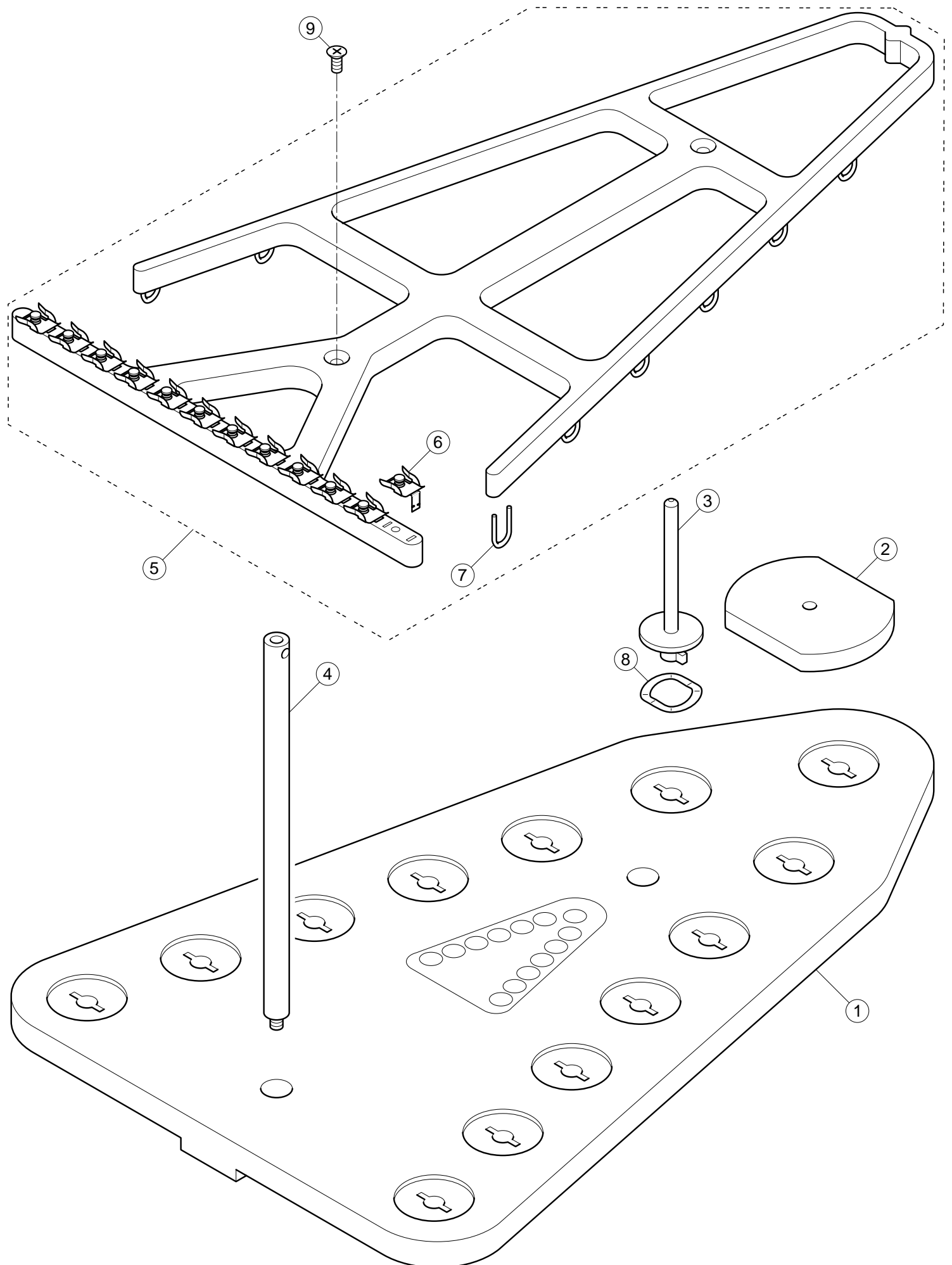
10a-1

Ass'y	El't	Parts No.	Parts Names	Note
	1	HCB916550	Thread tension bracket ass'y	
1*	2	HCS16403	Lower rectifier	
1*	3	HCS16392	Thread eyelet	
	4	HCS16464	Front cover	
	5	HCS79361	Limit switch ass'y	
	6	HCS16480	Stopper	
	7	HCS16301	Thread tension ass'y	
1*	8	HCS16132	Thread guide bar	
	9	M0445092	Detecting roller	
	10	MPA00170	Plastic washer (CC-0509-03)	
	11	HCS16022	Roller shaft	
	12	HCS16470	Slit disc	
	13	HCS16211	Thread guide unit	
	14	HCB81050	TC12 board ass'y	
	15	HCS16040	Sensor bracket	
	16	HCS16094	Rear cover	
	17	MPZ02330	Catcher	
	18	SPDB04010	Pan head screw (cross recessed, M4x10)	
	19	SPDD03010	Pan head screw (cross recessed, M3x10)	
	20	SBCC2C008	Binding head screw (M2.3x8)	
	21	SBAB03006	Binding head screw (M3x6)	
	22	WPAD04000	Plain washer (M4)	
	23	WSAD04000	Spring lock washer (M4)	
	24	NHAD04000	Hexagon nut (M4)	
	25	SPDD03006	Pan head screw (cross recessed, M3x6)	
	26	SPDB04008	Pan head screw (cross recessed, M4x8)	
	27	SPDD03008	Pan head screw (cross recessed, M3x8)	
	28	HCS16290	Roller shaft support	

THREAD STAND

CSEA01

11a-1

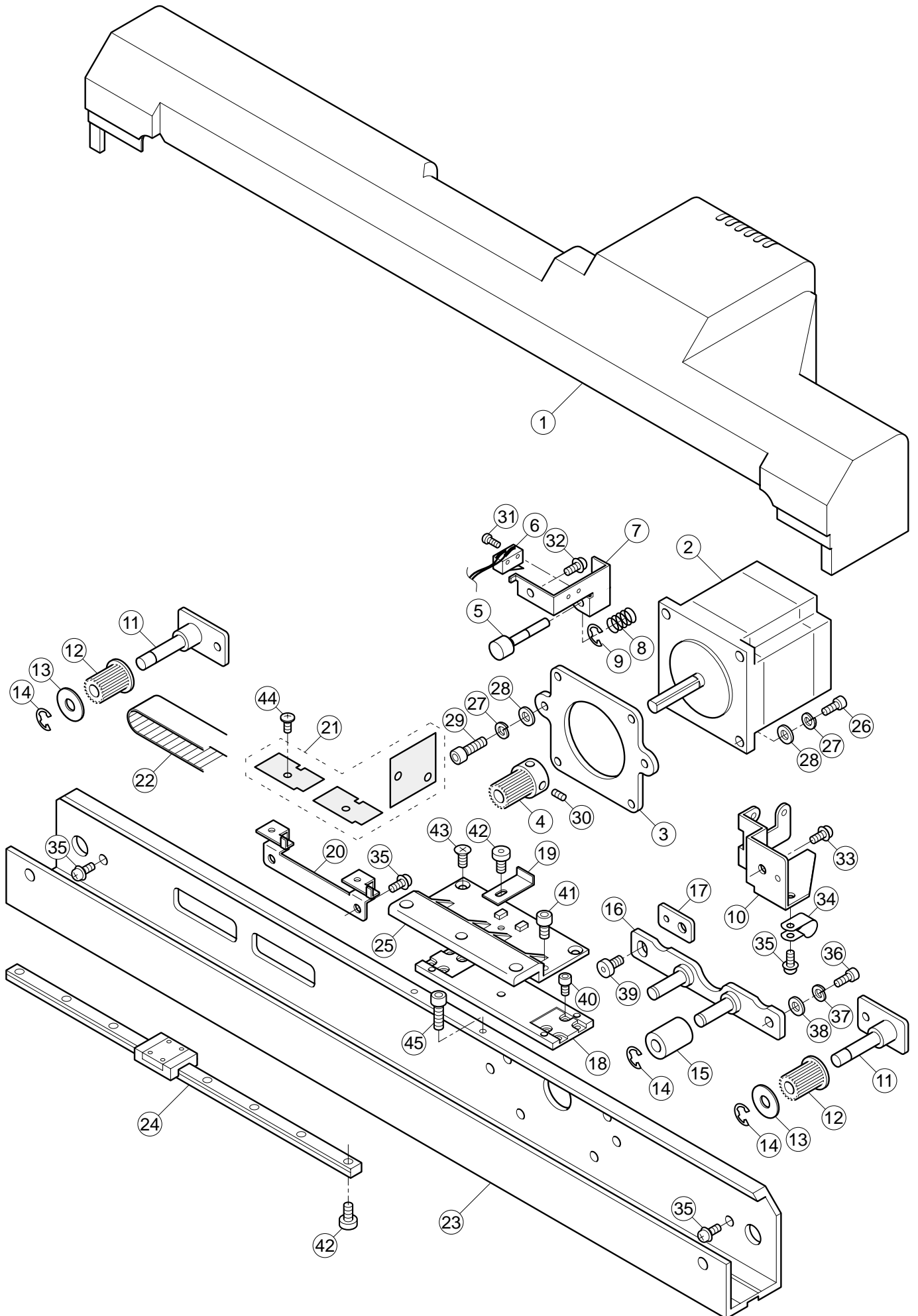


THREAD STAND

CSEA01

11a-1

Ass'y	El't	Parts No.	Parts Names	Note
	1	HCS20111	Thread stand	
	2	HCS20131	Thread stand felt	
	3	HCS20121	Thread stand pin	
	4	HCS20012	Thread guide pillar	
	5	HCSU20010	Thread guide bracket ass'y	
	6	HCS20062	Upper rectifier	
	7	HCS20091	Thread guide	
	8	MPZ02340	Wave washer (BW-1)	
	9	SGAB06010	Flat head screw (cross recessed head, M6x10)	

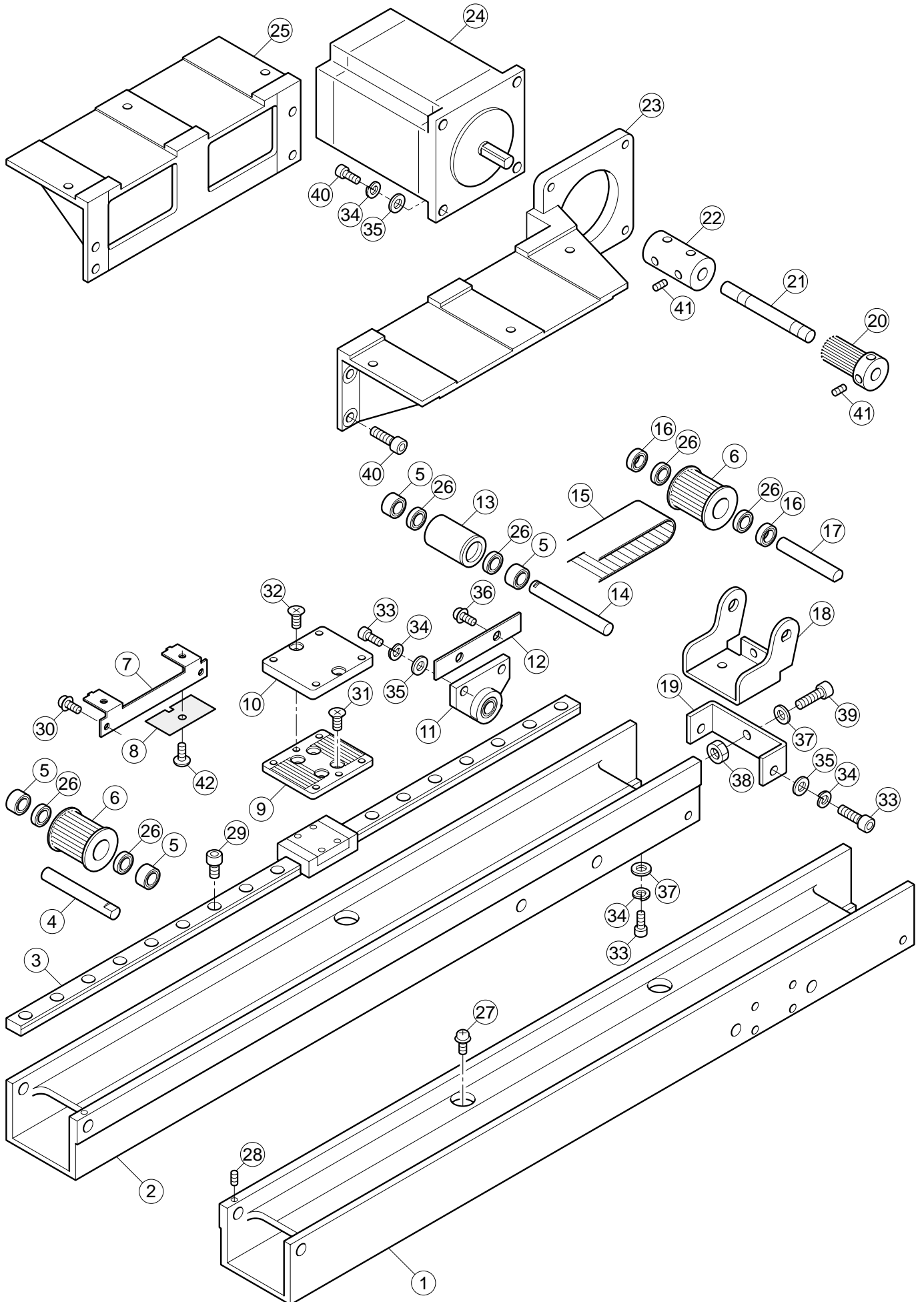


Ass'y	El't	Parts No.	Parts Names	Note
	1	HCS24402	X carriage cover	
	2	HCS79200	X pulse motor ass'y	
	3	HCS24230	Pulse motor bracket	
	4	HCS24242	Motor pulley	
	5	HCS43210	Switch pin	
	6	HCS79412	Limit switch ass'y	
	7	HCS43200	Switch bracket	
	8	HCS24410	Spring	
	9	MPR00290	E-ring (E-3)	
	10	HCS24370	Sensor bracket	
	11	HCS24271	Idler shaft ass'y	
	12	HCS24251	Idler pulley	
	13	HCS24380	Washer	
	14	MPR00420	E-ring (E-4)	
	15	HCS24261	Tension pulley	
	16	HCS24301	Tension pulley bracket ass'y	
	17	HCS24330	Plate nut	
	18	HCS24343	Guide connecting plate	
	19	HCS24350	Detecting plate	
	20	HCS24363	Sensor bracket	
	21	HCB81100	X limit sensor board ass'y	
	22	MPV00710	Timing belt	
	23	HCS24440	X carriage base ass'y	
	24	HCS24392	Guide A	
	25	HCS40012	Connecting plate	
	26	SCAA04012	Hexagon socket head cap screw (M4x12)	
	27	WSAA04000	Spring lock washer (M4)	
	28	WPBA04000	Plain washer (M4)	
	29	SCAA04008	Hexagon socket head cap screw (M4x8)	
	30	SSAA04004	Hexagon socket set screw (M4x4)	
	31	SPAC02010	Pan head screw (cross recessed, M2x10)	
	32	SPDD03006	Pan head screw (cross recessed, M3x6)	
	33	SPDB04006	Pan head screw (cross recessed, M4x6)	
	34	EPN00060	Clamp (NK-5N)	
	35	SPDB04008	Pan head screw (cross recessed, M4x8)	
	36	SCAA05010	Hexagon socket head cap screw (M5x10)	
	37	WSAA05000	Spring lock washer (M5)	
	38	WPAA05000	Plain washer (M5)	
	39	SCEA05008	Hexagon socket low head screw (M5x8)	
	40	SCAA02004	Hexagon socket head cap screw (M2x4)	
	41	SCAA03008	Hexagon socket head cap screw (M3x8)	
	42	SCEA03006	Hexagon socket low head screw (M3x6)	
	43	SGAD03008	Flat head screw (cross recessed head, M3x8)	
	44	SBAB03004	Binding head screw (M3x4)	
	45	SCAA03015	Hexagon socket head cap screw (M3x15)	

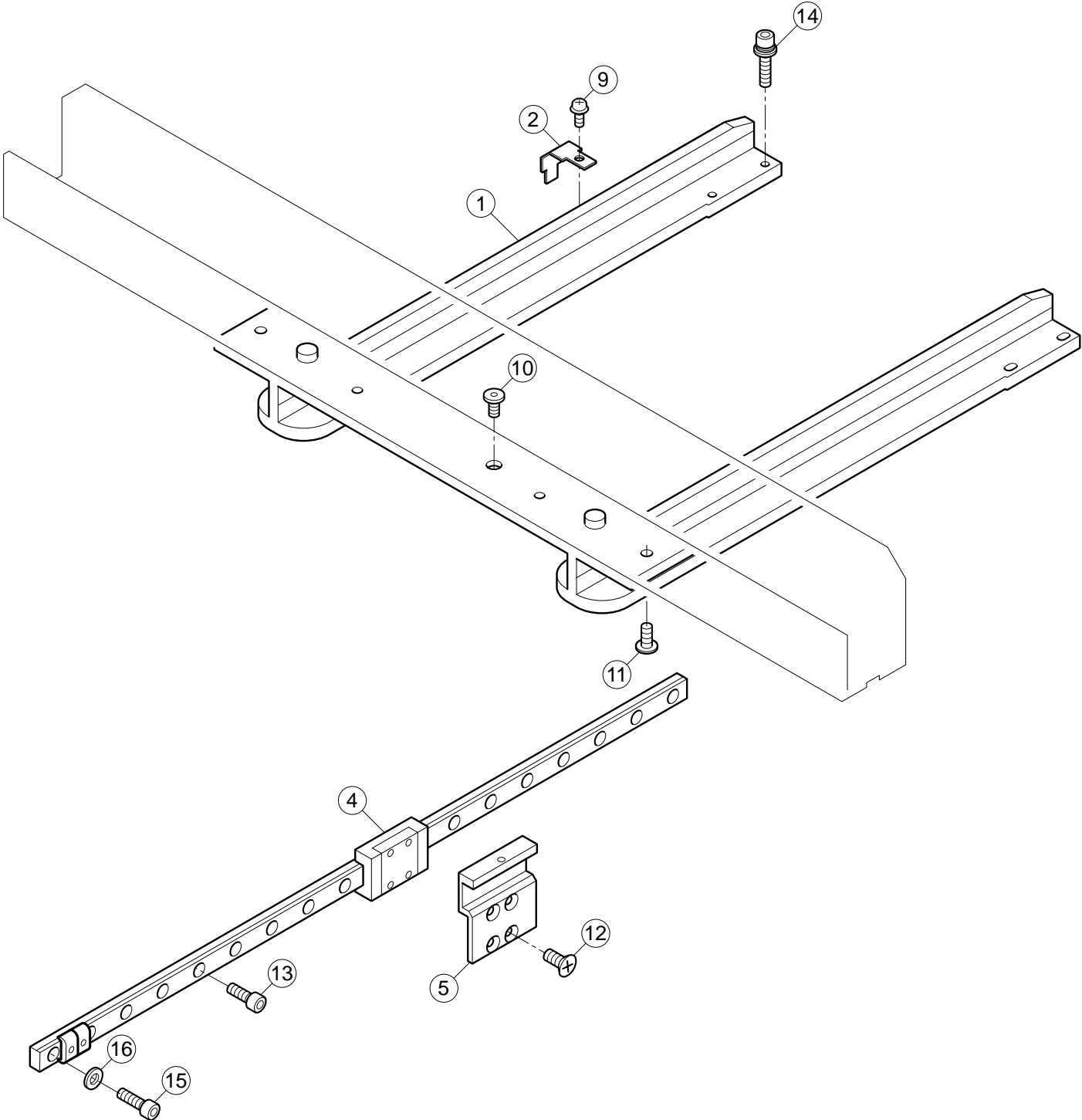
Y CARRIAGE 1

CSEA01

13a-1



Ass'y	El't	Parts No.	Parts Names	Note
	1	HCS25061	Y carriage base (right)	
	2	HCS25071	Y carriage base (left)	
	3	HCS25290	Guide Y	
	4	HCS25320	Idler shaft A	
	5	HCS25340	Collar A	
	6	HCS25153	Idler pulley ass'y	
	7	HCS25263	Sensor bracket	
	8	HCB81110	Sensor board ass'y	
	9	HCS25191	Guide connecting plate	
	10	HCS25200	Belt holding plate	
	11	HCSU25110	Drive shaft support ass'y	
	12	HCS25360	Fixing plate	
	13	HCS25113	Tension pulley	
	14	HCS25310	Tension shaft	
	15	MPV00720	Timing belt	
	16	HCS25350	Collar B	
	17	HCS25330	Idler shaft B	
	18	HCS25371	Tension base	
	19	HCS25380	Tension bracket	
	20	HCS25102	Drive pulley	
	21	HCS25090	Drive shaft	
	22	HCS25081	Coupling	
	23	HCS25013	Y carriage bracket (right)	
	24	HCS79210	Y pulse motor ass'y	
	25	HCS25033	Y carriage bracket (left)	
	26	MPB00960	Bearing (W676AZZ)	
	27	SPDB04010	Pan head screw (cross recessed, M4x10)	
	28	SSAA03004	Hexagon socket set screw (M3x4)	
	29	SCAA03006	Hexagon socket head cap screw (M3x6)	
	30	SPDD03006	Pan head screw (cross recessed, M3x6)	
	31	-	Flat head screw (cross recessed head, M3x6)	
	32	SGAD03008	Flat head screw (cross recessed head, M3x8)	
	33	SCAA04010	Hexagon socket head cap screw (M4x10)	
	34	WSAA04000	Spring lock washer (M4)	
	35	WPBA04000	Plain washer (M4)	
	36	SPDB04008	Pan head screw (cross recessed, M4x8)	
	37	WPAA04000	Plain washer (M4)	
	38	NHAA04000	Hexagon nut (M4)	
	39	SCAA04020	Hexagon socket head cap screw (M4x20)	
	40	SCAA04012	Hexagon socket head cap screw (M4x12)	
	41	SSAA04005	Hexagon socket set screw (M4x5)	
	42	SBAB03004	Binding head screw (M3x4)	

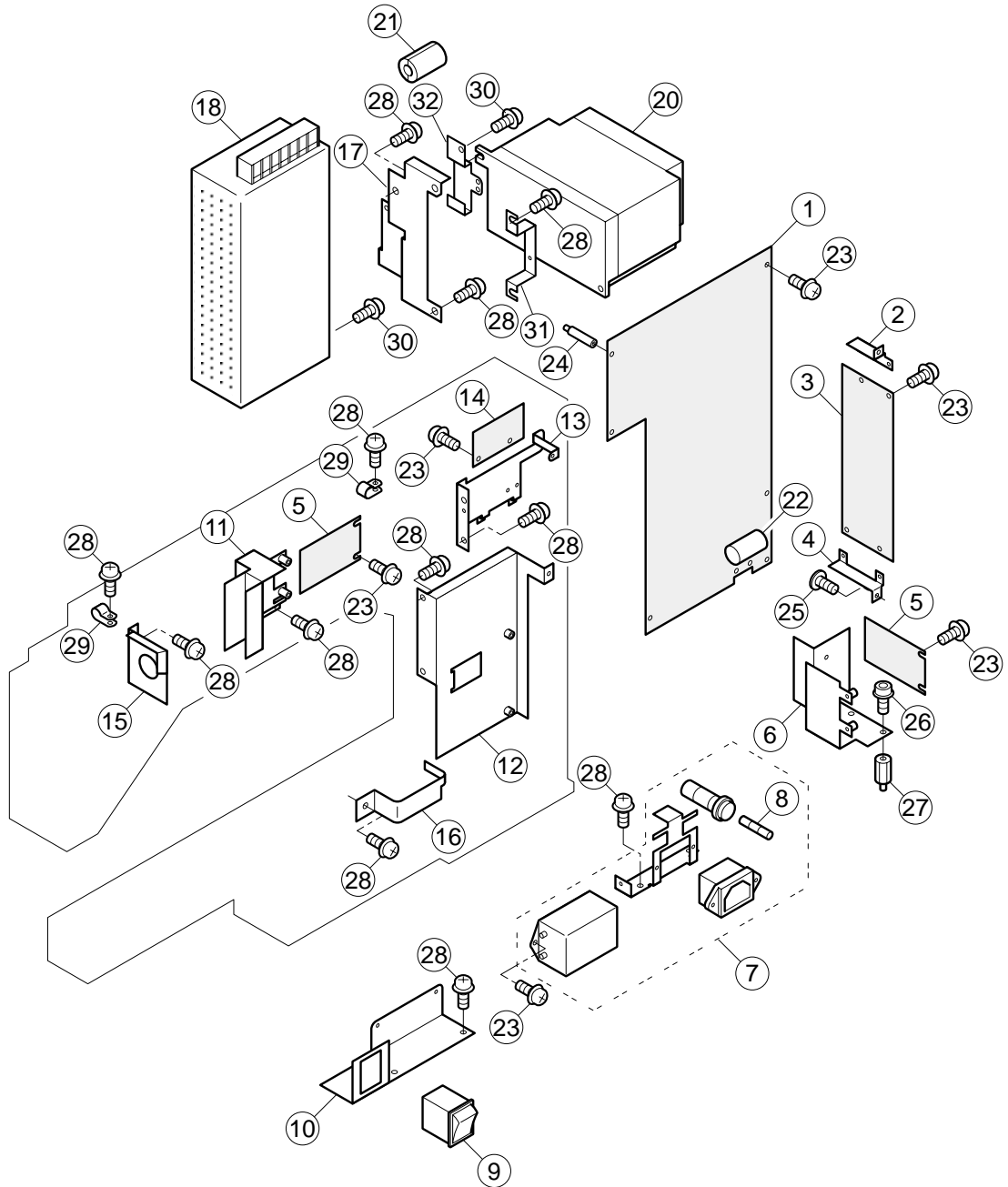


Y CARRIAGE 2

CSF118

13b-1

Ass'y	El't	Parts No.	Parts Names	Note
	1	HCSU25040	Arm ass'y	
	2	HCS25212	Detecting plate	
	4	HCS25290	Guide Y	
	5	HCS25300	Connecting plate B	
	6	SCGA03014	Hexagon socket head cap screw (M3x14)	
	9	SPDD03006	Pan head screw (cross recessed, M3x6)	
	10	SCEA03006	Hexagon socket low head screw (M3x6)	
	11	SBAB04008	Binding head screw (M4x8)	
	12	SGAB03006	Flat head screw (cross recessed head, M3x6)	
	13	SCAA03006	Hexagon socket head cap screw (M3x6)	
	14	SCGA03014	Hexagon socket head cap screw (M3x14)	
	15	SCAA03008	Hexagon socket head cap screw (M3x8)	
	16	WPAD03000	Plain washer (M3)	

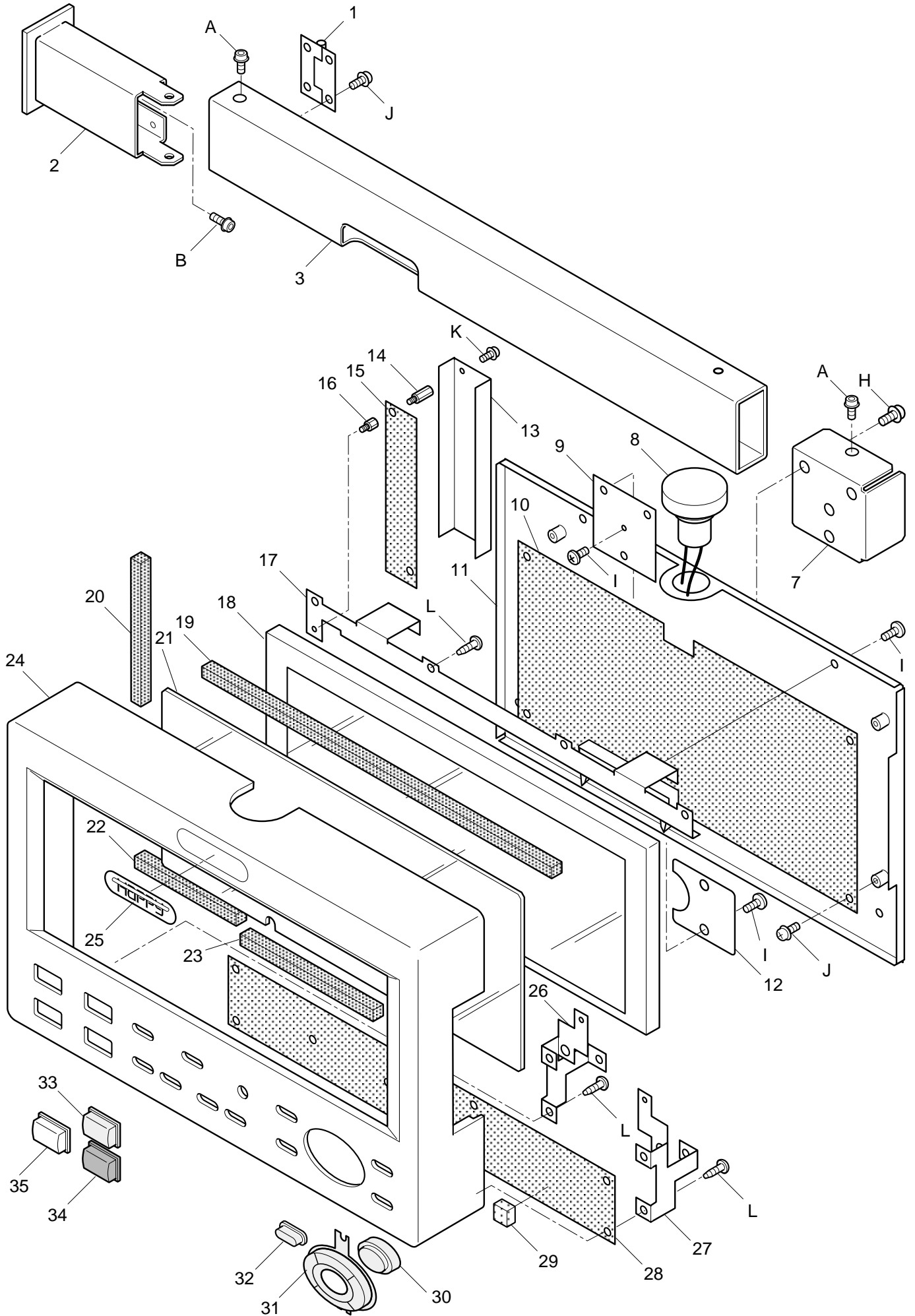


Ass'y	El't	Parts No.	Parts Names	Note
	1	HCB81012	CPU board ass'y	
	2	HCS27200	Serial board bracket A	
	3	HCB81072	Serial board ass'y	
	4	HCS27210	Serial board bracket B	
	5	HCB81042	PMD board ass'y	
	6	HCS27320	Y PMD board bracket ass'y	
	7	HCS79470	Socket ass'y	
7*	8	EPF00360	Fuse (6A)	
	9	EPS00890	Power switch	
	10	HCS27021	Noise filter bracket	
	11	HCS27330	X PMD board bracket ass'y	
	12	HCS27340	CPU board bracket ass'y	
	13	HCS27242	Timing detecting board bracket	
	14	HCB81090	Timing detecting board ass'y	
	15	HCS27220	X motor cable bracket	
	16	HCS27191	Cord bracket	
	17	HCS27262	Power supply bracket	
	18	HCS79250	Power supply (100V)	
	18	HCS79260	Power supply (200V)	
	20	EPM00530	Inverter (100V)	
	20	EPM00500	Inverter (200V)	
	21	EPK00890	Clamp filter	
1*	22	EPZ00540	Battery	
	23	SPDD03006	Pan head screw (cross recessed, M3x6)	
	24	HCS01770	Screw	
	25	SBCB03008	Binding head screw (M3x8)	
	26	SCBA04008	Hexagon socket head cap screw with flange (M4x8)	
	27	MPA00160	Spacer (BS-412W)	
	28	SPDB04008	Pan head screw (cross recessed, M4x8)	
	29	EPN00070	Clamp (NK-6N)	
	30	SPDB04010	Pan head screw (cross recessed, M4x10)	
	31	HCS27350	Support bracket A (100V)	
	32	HCS27350	Support bracket B (100V)	

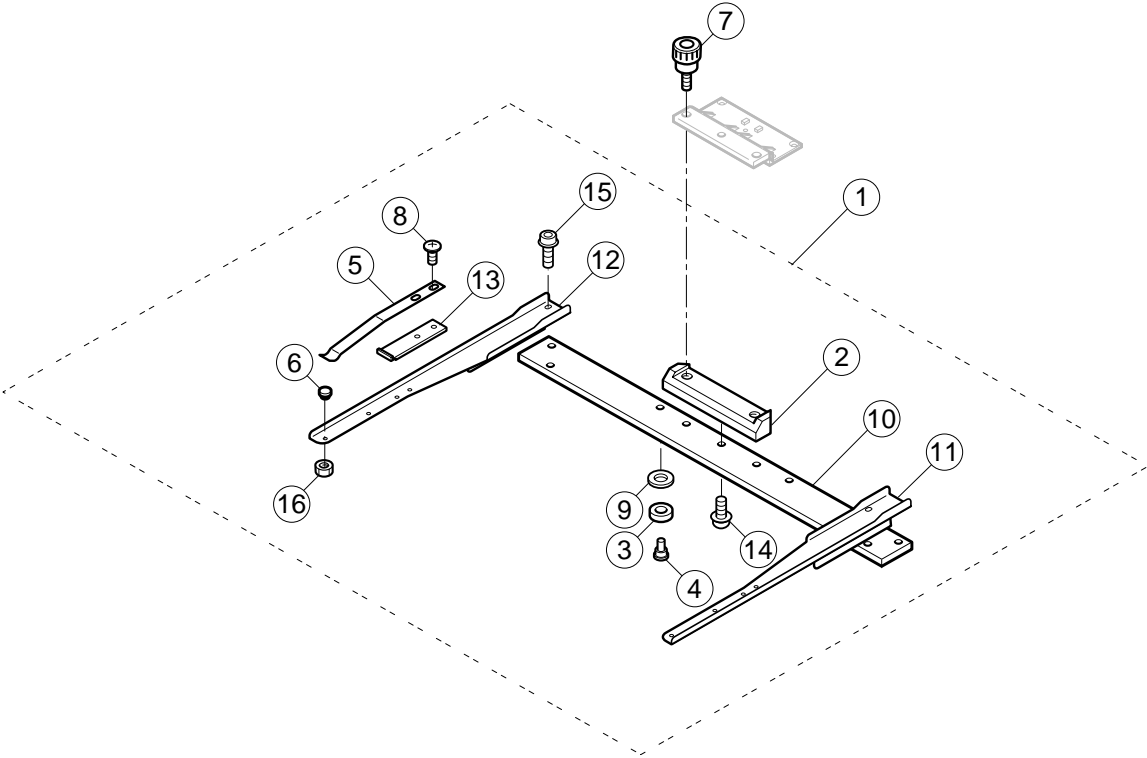
CONTROL PANEL

BDF901

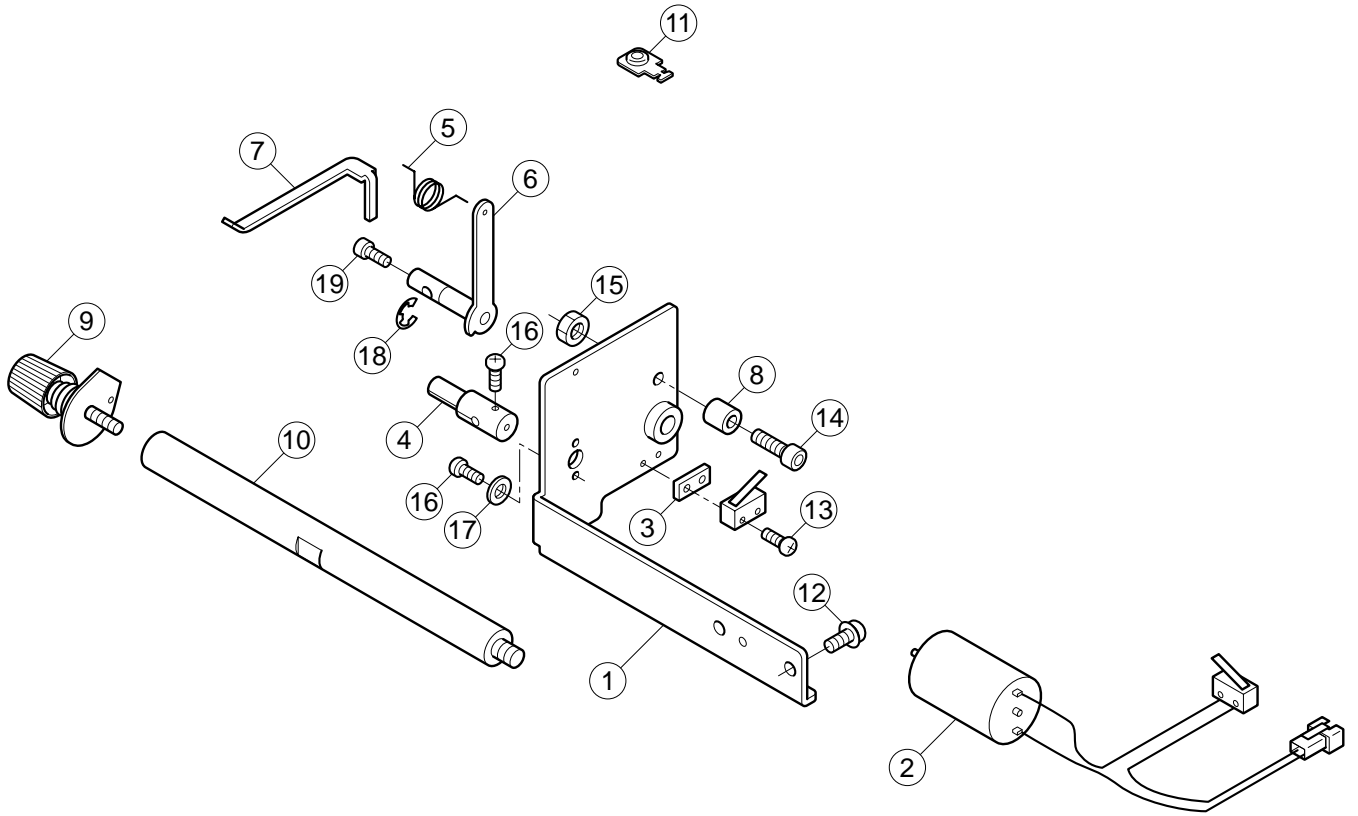
15a-1



Ass'y	El't	Parts No.	Parts Names	Note
	1	MPZ02310	Hinge	
	2	HCB29240	Arm B	
	3	HCB29230	Arm A	
	7	HCB29221	Bracket B	
	8	HCD79000	Emergency stop switch (with cable)	
	9	HCB29370	Plate nut	
	10	HCD81020	LCD, ATA board ass'y	
	11	HCD29021	Panel ass'y (rear)	
	12	HCD29031	Cord lid HCD	
	13	HCB29410	Invertor cover	
	14	MPZ03060	Stud	
	15	EPZ00800	DISP board ass'y	
	16	MPZ03050	Stud	
	17	HCB29152	Display bracket A	
	18	EPZ00790	LCD unit	
	19	HCB29200	Sealing A	
	20	HCB29210	Sealing B	
	21	HCB29131	Display panel	
	22	HCB29350	Sealing C	
	23	-	Sealing D	
	24	HCB29251	Panel (front)	
	25	HCB29140	Emblem	
	26	HCB29331	Fixing bracket (left)	
	27	HCB29321	Fixing bracket (right)	
	28	HCD81030	Switch board ass'y	
	29	HCB29360	Cushion	
	30	HCB29290	Key top (SET)	
	31	HCB29281	Multi key top	
	32	HCB29301	Key top (FUNC)	
	33	HCB29380	Key top B (CUT)	
	34	HCB29390	Key top (STOP)	
	35	HCB29400	Key top (START)	
	A	SCBD04008	Hexagon socket head cap screw with flange (M4x8)	
	B	SCBA04008	Hexagon socket head cap screw with flange (M4x8)	
	H	SPDB04008	Pan head screw (cross recessed, M4x8)	
	I	SBAB03005	Binding head screw (M3x5)	
	J	SPDD03006	Pan head screw (cross recessed, M3x6)	
	K	SPDD02005	Pan head screw (cross recessed, M2x5)	
	L	SMAB03008	Pan head tapping screw (M3x8)	



Ass'y	El't	Parts No.	Parts Names	Note
	1	HCSU40010	Frame base ass'y	
	2	HCS40130	Bracket	
	3	MPB00250	Bearing (L1680ZZ)	
	4	HCS40040	Screw	
	5	HCM41353	Hold spring C	
	6	HCS40090	Positioning pin C	
	7	MPZ02500	Knob bolt (M5)	
	8	SBAB04006	Binding head screw (M4x6)	
	9	WPAA05000	Plain washer (M5)	
	10	HCS40120	Arm	
	11	HCS40100	Tubular frame hold arm (right)	
	12	HCS40110	Tubular frame hold arm (left)	
	13	HCM41361	Hold spring base	
	14	SPDD04012	Pan head screw (cross recessed, M4x12)	
	15	SCBD04006	Hexagon socket head cap screw with flange (M4x6)	
	16	NHCD04000	Hexagon nut (M4)	

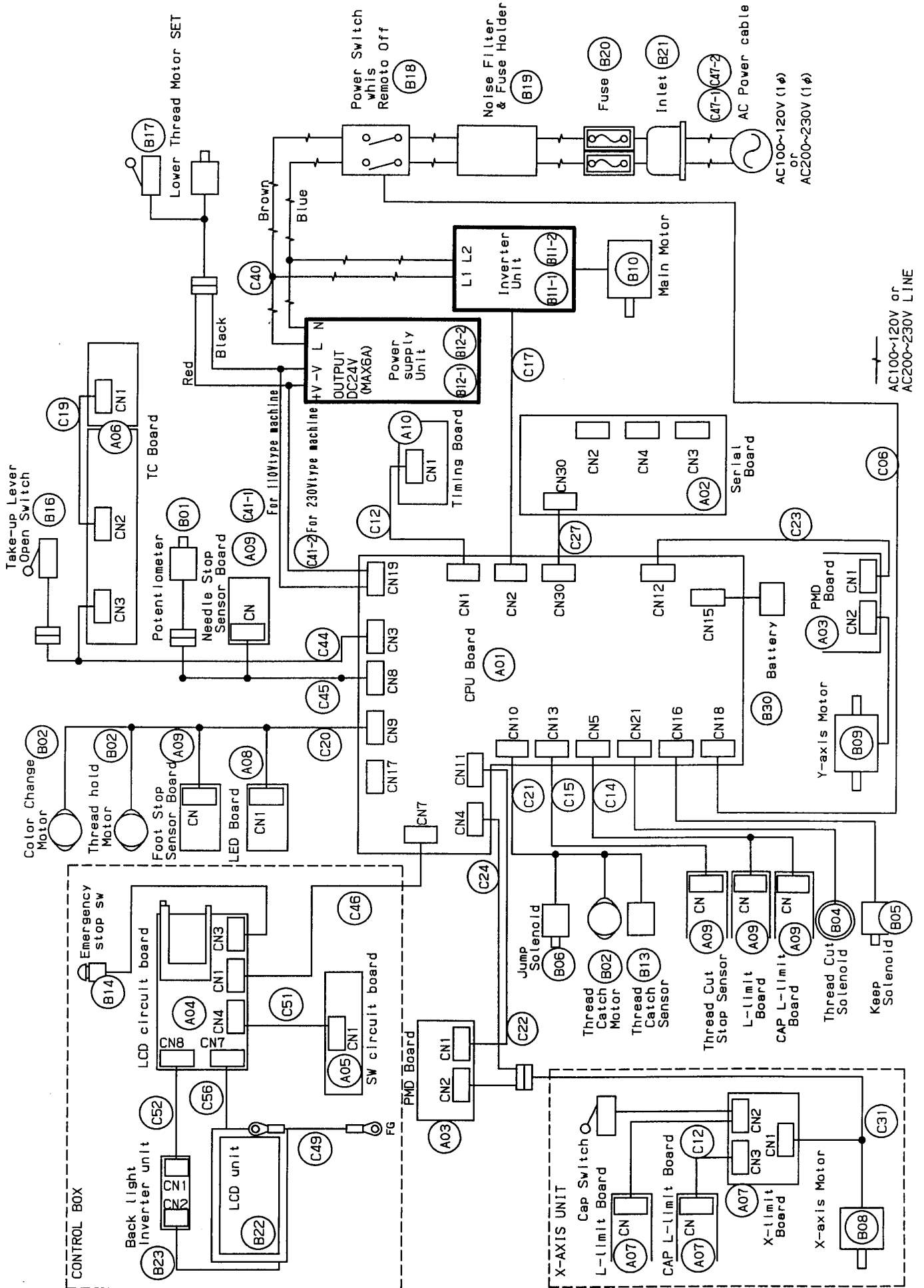


BOBBIN WINDER

SCA3C10

17a-1

Ass'y	El't	Parts No.	Parts Names	Note
	1	HCS60014	Winder bracket ass'y	
	2	HCS79342	Motor ass'y	
	3	HCS60200	Spacer	
	4	HCS60052	Shaft	
	5	HCS60060	Spring	
	6	HCS60160	Lever ass'y	
	7	HCS60191	Guide	
	8	HCS60210	Cushion	
	9	HCS60102	Thread tension ass'y	
	10	HCS60221	Shaft	
	11	HCS60230	Bobbin thread guide ass'y	
	12	SPDB04010	Pan head screw (cross recessed, M4x10)	
	13	SPAC02010	Pan head screw (cross recessed, M2x10)	
	14	SCAA04012	Hexagon socket head cap screw (M4x12)	
	15	NHAD04000	Hexagon nut (M4)	
	16	SPAC02006	Pan head screw (cross recessed, M2x6)	
	17	WPAC02000	Plain washer (M2)	
	18	MPR00080	E-ring (E-5)	
	19	SCAA03015	Hexagon socket head cap screw (M3x15)	



ELECTRICAL CONNECTION DIAGRAM

BDF901

18a-1

Parts Names	Parts No.	Potentiometer	ESHCS7940*	Lower Thread Motor SET	ESHCS7934*	Jump solenoid cable	ESHCS7021*
(A01) CPU Board	ESHCB8101*	(B02) Thread hold Motor	ESEPM0048* 42S1A24D5B (MATSUSITA)	(B17) Power Switch Remoto Off	ESEFS0089* AJBR2014BBC (MATSUSITA)	(C22) XPulse motor cable	ESHCS7022*
(A02) Serial Board	ESHCB8107*	(B02) Color Change Motor	ESEPM0048* 42S1A24D5B (MATSUSITA)	(B19) Noise Filter & Fuse Holder	ESHCS7946*	(C23) YPulse motor cable	ESHCS7023*
(A03) PMD Board	ESHCB8104*	(B02) Thread Catch Motor	ESEPM0048* 42S1A24D5B (MATSUSITA)	(B20) Fuse	ESEPF0036* 3SB6A (Bel) 250V 6A	(C24) XLimit relay cable	ESHCS7024*
(A04) LCD&ATACF Board	ESHCD8102*	(B04) Thread Cut Solenoid	ESHCS7910*	(B21) Inlet	ESHCS7944*	(C27) Serial relay cable	ESHCS7027*
(A05) Switch Board	ESHCD8103*	(B05) Keep Solenoid	ESHCS7905*	(B22) LCD unit	ESEFZ0079* KCG089HV1AA-G00 (KYOSERA)	(C31) XPulse motor relay cable	ESHCS7031*
(A06) TC Board	ESHCB8105*	(B06) Jump Solenoid	ESHCS0850*	(B23) Back light Inverter unit	ESEFZ0080* CXA-L0605-VJL (TDK)	(C40) Power relay cable	ESHCS7040*
(A07) X-limit Board	ESHCB8110*	(B08) X-axis Motor	ESHCS7920*	(B30) Battery	ESEFZ0054*	(C41-1) Power cable with the fuse (24V) or (C41-2) Power cable (24V)	ESHCS7942* For 110V type machine ESHCS7041* For 230V type machine
(A07) L-limit Board	↑	(B09) Y-axis Motor	ESHCS7921*			(C47-1) AC Power cable (110V) or (C47-2) AC Power cable (220V)	ESEPE0005* ESHCS7030* ESHCS7927* ESHCS7928*
(A07) CAP L-limit Board	↑	(B10) Main Motor	ESHCS7931* OR ESHCS7930* 3φ 90W	(C06) PD cable	ESHCS7006*	(C45) TC cable	ESHCS7044*
(A08) LED Board	ESHCB8112*	(B11-1) Input110V type Inverter Unit or (B11-2) Input220V type Inverter Unit	ESEPM0053* FR-S510W-C.2K-R-* (MITSUBISHI) ESEPM0049* VFNC1S-1004P (TOSHIBA)	(C12) XL cable (C14) YF cable	ESHCS7012* ESHCS7014*		
(A09) Foot Stop Sensor Board	ESHCB8111*			(C15) ORG cable	ESHCS7015*	(C46) DISP (LCD) cable	ESHCS7046*
(A09) Needle Stop Sensor Board	↑			(C16) Timing cable	ESHCS7016*	(C49) LCD Ground cable	ESHCD7049*
(A09) Thread Cut Stop Sensor	↑			(C17) INVERTER cable	ESHCS7017*	(C51) SW cable	ESHCD7051*
(A09) L-limit Board	↑			(C45) Needle bar change cable	ESHCS7045*	(C52) BL-Inverter cable	ESHCD7052*
(A09) CAP L-limit Board	↑			(C19) TC connecting cable	ESHCS7019*	(C56) LCD-S (8.9inch) cable	ESHCD7056*
(A10) Timing Board	ESHCB8109*	(B14) Emergency stop SW	ESHCD7900*	(C20) Pulse motor cable	ESHCS7020*		

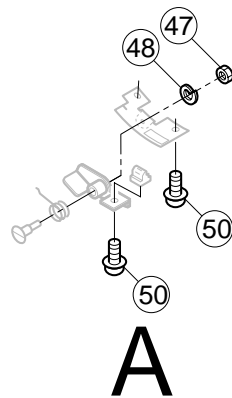
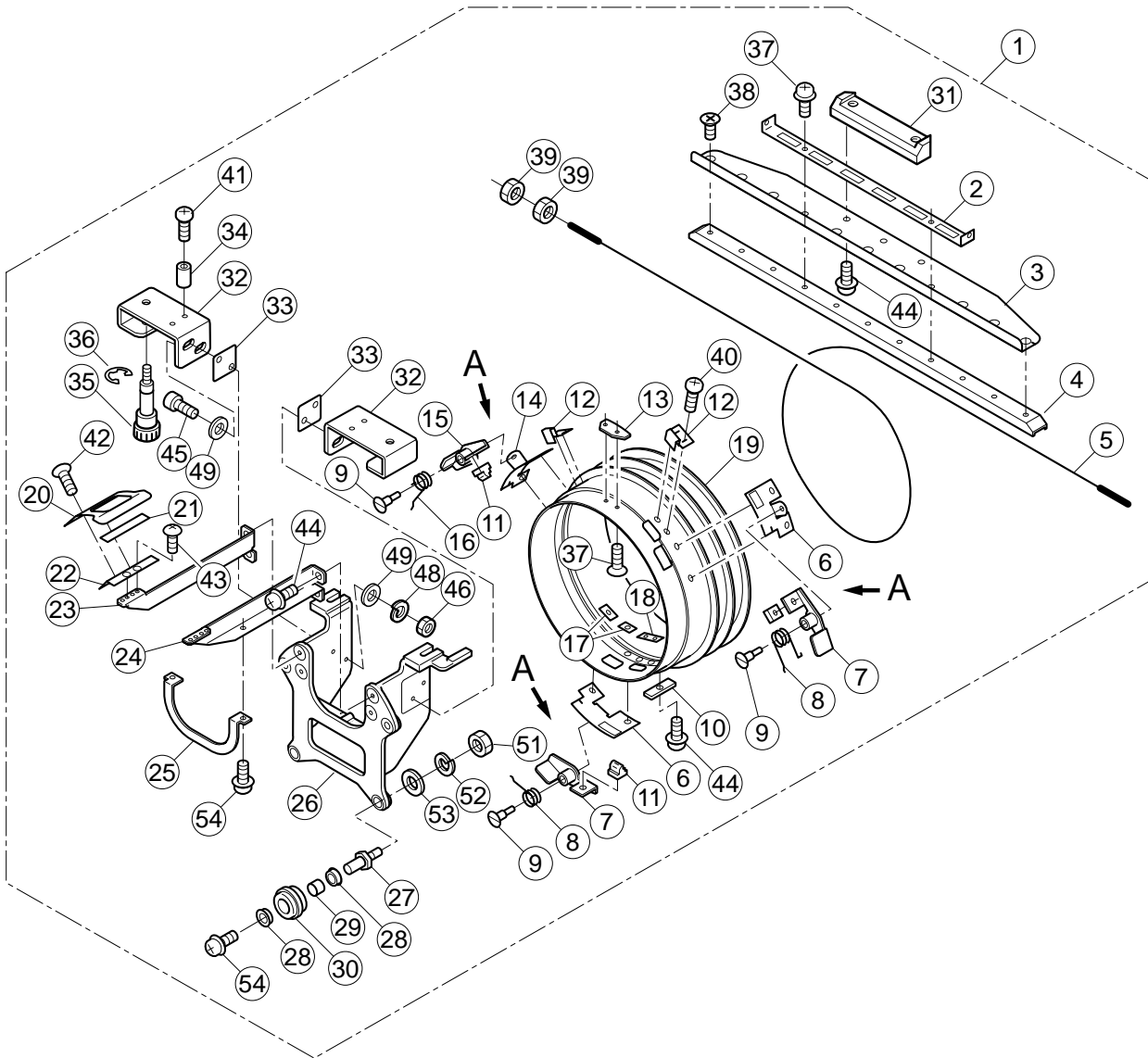
Attention
 ·Power supply unit
 ·Inverter
 ·AC power cable
 ·Power cable (24V)

*mark is a revision number

Product varies in a power supply to use

CAP FRAME (DRIVE FRAME)

CSF128 19a-1

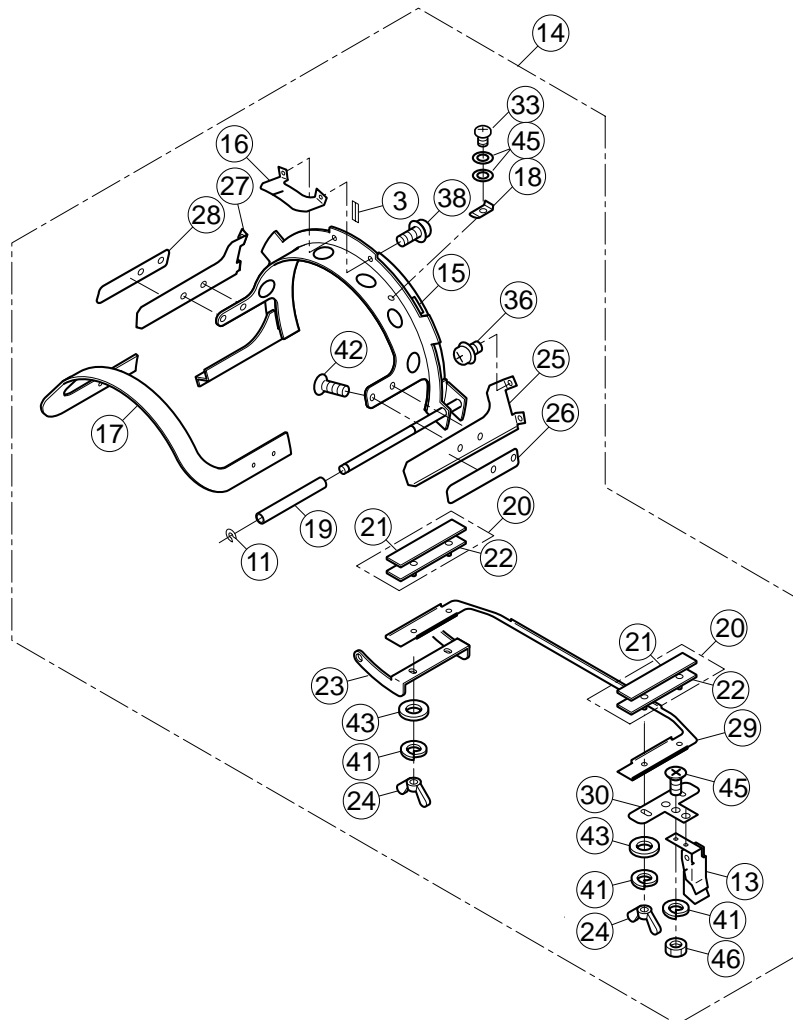
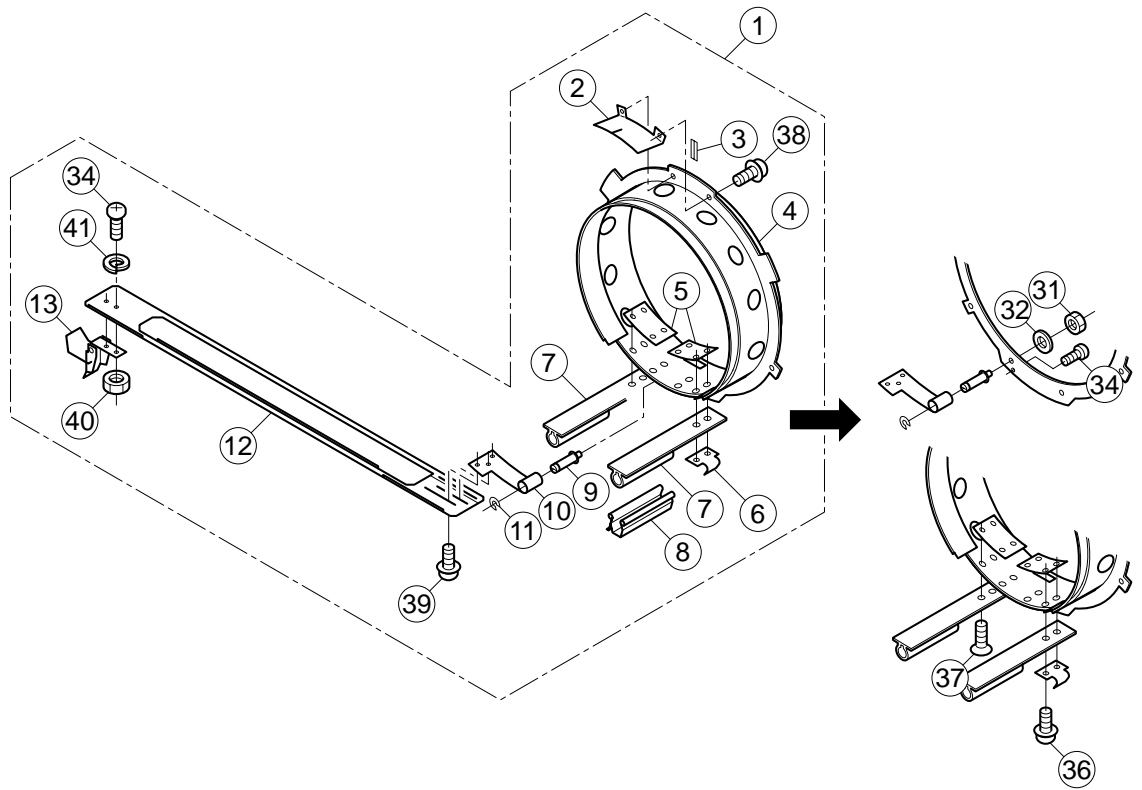


CAP FRAME (DRIVE FRAME)

CSF128

19a-1

Ass'y	El't	Parts No.	Parts Names	Note
	1	HCS43002	HCS Drive frame ass'y	
	2	FRA43790	Wire fixing plate	
	3	HCS43023	Rail bracket	
	4	FRA43820	Rail	
	5	FRA43780	Wire	
	6	FRA43591	Lever bracket (right)	
	7	FRA43560	Hold lever ass'y (right)	
	8	FRA43620	Torsion coil spring (right)	
	9	FRA43611	Support pin	
	10	FRA43800	Wire keeper	
	11	FRA43601	Lock pin	
	12	FRA43550	Spring	
	13	FRA43542	Center guide	
	14	FRA43650	Lever bracket (left)	
	15	FRA43630	Hold lever ass'y (left)	
	16	FRA43660	Torsion coil spring (left)	
	17	FRA43670	Plate nut (M4)	
	18	FRA43680	Plate nut (M3)	
	19	FRA43843	rotary cylinder	
	20	FRA45020	Guide	
	21	FRA43740	Protect sheet	
	22	FRA45050	Guide bracket	
	23	FRA45040	Guide support (left)	
	24	FRA45030	Guide support (right)	
	25	FRA43690	Reinforcement plate	
	26	HCS43015	Base ass'y	
	27	FRA43531	Guide roller pin	
	28	FRA43520	Bearing	
	29	FRA43750	Guide roller spacer	
	30	FRA43512	Guide roller	
	31	HCS40130	Bracket	
	32	HCS43130	Base fixing bracket	
	33	HCS43230	Spacer	
	34	MPZ00360	Spacer C310	
	35	HCS43141	Knob bolt	
	36	MPR00470	E-ring (E-6)	
	37	SPDD04012	Pan head screw (cross recessed, M4x12)	
	38	SGAD04008	Flat head screw (cross recessed head, M4x8)	
	39	NHAD03000	Hexagon nut (M3)	
	40	SPAD03005	Pan head screw (cross recessed, M3x5)	
	41	SPAD03012	Pan head screw (cross recessed, M3x12)	
	42	SGAD03004	Flat head screw (cross recessed head, M3x4)	
	43	STAD03004	Truss head screw (cross recessed, M3x4)	
	44	SPDD04010	Pan head screw (cross recessed, M4x10)	
	45	SCAD04010	Hexagon socket head cap screw (M4x10)	
	46	NHAD04000	Hexagon nut (M4)	
	47	NHCD04000	Hexagon nut (M4)	
	48	WSAD04000	Spring lock washer (M4)	
	49	WPAD04000	Plain washer (M4)	
	50	SPDD04008	Pan head screw (cross recessed, M4x8)	
	51	NHAD05000	Hexagon nut (M5)	
	52	WSAD05000	Spring lock washer (M5)	
	53	WPAD05000	Plain washer (M5)	
	54	SPDD04006	Pan head screw (cross recessed, M4x6)	

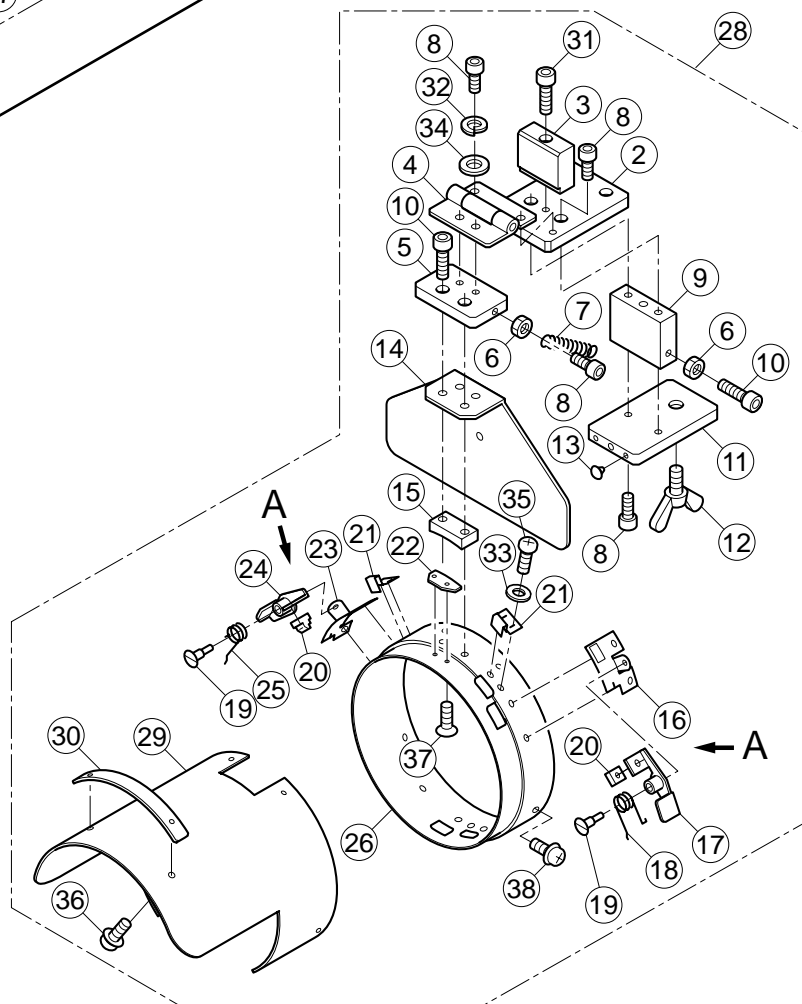
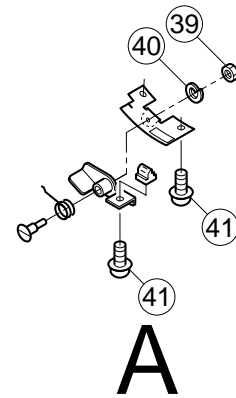
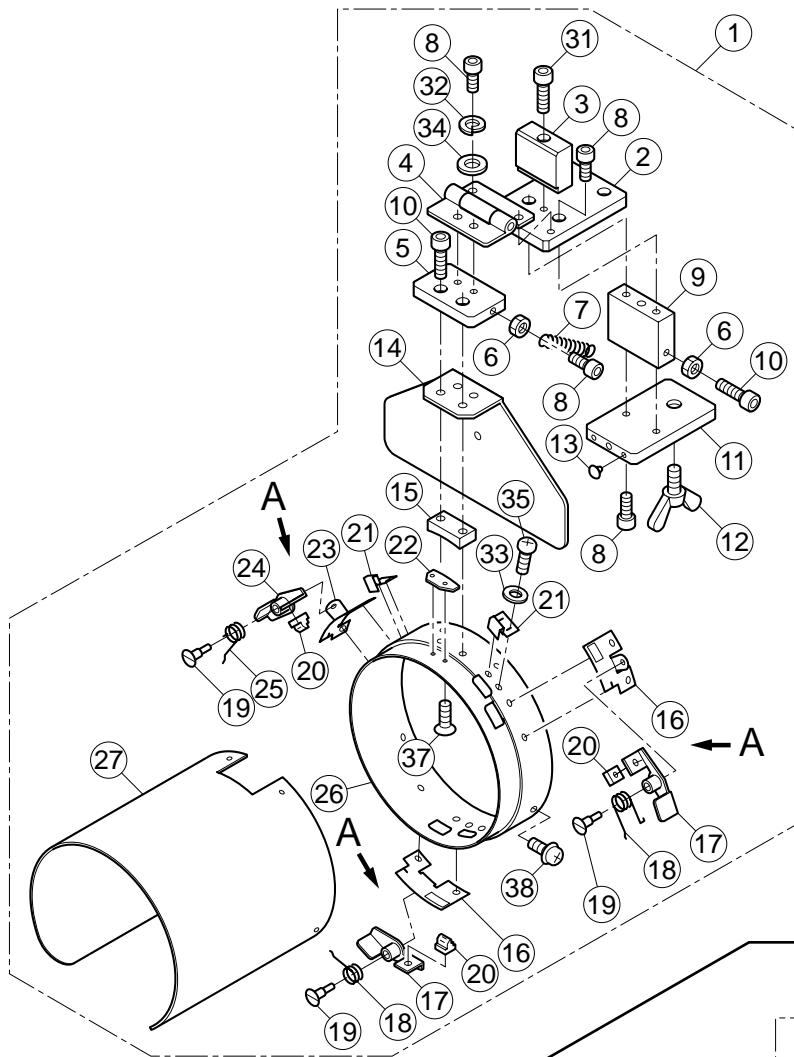


CAP FRAME (HOLD FRAME)

CSF128

19b-1

Ass'y	El't	Parts No.	Parts Names	Note
	1	FRA44001	Cap hold frame ass'y (wide type)	
	2	FRA44210	Position braket	
	3	FRA44180	Cap marker	
	4	FRA44102	Cap hold frame (wide type)	
	5	FRA44050	Cap holder bracket	
	6	FRA44031	Hook	
	7	FRA44201	Cap holder A	
	8	FRA44090	Clip	
	9	FRA44013	Guide pin	
	10	FRA44022	Grip bracket	
	11	FRA44170	E-ring	
	12	FRA44042	Cap grip	
	13	FRA44160	Latch	
	14	FRA46502	Cap hold frame ass'y (low profile type)	
	15	FRA46025	Cap hold frame (low profile type)	
	16	FRA44240	Position braket	
	17	FRA46550	Clamp C	
	18	FRA46620	Spring clip	
	19	FRA46141	Spacer	
	20	FRA46610	Side holder ass'y	
	21	FRA46630	Side holder cushion	
	22	FRA46182	Side holder	
	23	FRA46082	Bracket	
	24	NWBB03000	Wing nut (M3)	
	25	FRA46520	Side support (right)	
	26	FRA46561	Side support ruber (right)	
	27	FRA46530	Side support (left)	
	28	FRA46571	Side support ruber (left)	
	29	FRA46212	Clamp B	
	30	FRA46151	Latch bracket	
	31	NHAD04000	Hexagon nut (M4)	
	32	WPAD04000	Plain washer (M4)	
	33	SPAD03003	Pan head screw (cross recessed, M3x3)	
	34	SPAD03005	Pan head screw (cross recessed, M3x5)	
	35	SPDD04005	Pan head screw (cross recessed, M4x5)	
	36	SPDD04012	Pan head screw (cross recessed, M4x12)	
	37	SGAD04008	Flat head screw (cross recessed head, M4x8)	
	38	SPDD03005	Pan head screw (cross recessed, M3x5)	
	39	SPDD03004	Pan head screw (cross recessed, M3x4)	
	40	NHAD03000	Hexagon nut (M3)	
	41	WSAD03000	Spring lock washer (M3)	
	42	SGAD03004	Flat head screw (cross recessed head, M3x4)	
	43	WPAD03000	Plain washer (M3)	
	44	WPBD03000	Plain washer (M3)	
	45	SGAD03006	Flat head screw (cross recessed head, M3x6)	
	46	NHCD03000	Hexagon nut (M3)	



CAP FRAME (CAP STRETCHER)

CSF128

19c-1

Ass'y	El't	Parts No.	Parts Names	Note
	1	FRA44502	Cap stretcher (wide type)	
	2	FRA44600	Base E	
	3	FRA44610	Stopper A	
	4	FRA44580	Hinge	
	5	FRA44590	Base D	
	6	NHAD05000	Hexagon nut (M5)	
	7	FRA44620	Tension coil spring	
	8	SCAD05012	Hexagon socket head cap screw (M5x12)	
	9	FRA44561	Base B	
	10	SCAD05020	Hexagon socket head cap screw (M5x20)	
	11	FRA44571	Base C	
	12	SWAB10020	Wing bolt (M10x20)	
	13	FRA44630	Cushion	
	14	FRA44531	Back plate	
	15	FRA44541	R block	
	16	FRA43591	Lever bracket (right)	
	17	FRA43560	Hold lever ass'y (right)	
	18	FRA43620	Torsion coil spring (right)	
	19	FRA43611	Support pin	
	20	FRA43601	Lock pin	
	21	FRA43550	Spring	
	22	FRA43542	Center guide	
	23	FRA43651	Lever bracket (left)	
	24	FRA43630	Hold lever ass'y (left)	
	25	FRA43660	Torsion coil spring (left)	
	26	FRA44511	Cylinder	
	27	FRA44521	Stretch plate (wide type)	
	28	FRA46350	Cap stretcher (low profile type)	
	29	FRA46330	Stretch plate (low profile type)	
	30	FRA46320	Block	
	31	SCAD05035	Hexagon socket head cap screw (M5x35)	
	32	WSAD05000	Spring lock washer (M5)	
	33	WPAD03000	Plain washer (M3)	
	34	WPAD05000	Plain washer (M5)	
	35	SPAD03005	Pan head screw (cross recessed, M3x5)	
	36	SPDD03005	Pan head screw (cross recessed, M3x5)	
	37	SGAD03005	Flat head screw (cross recessed head, M3x5)	
	38	SPDD04010	Pan head screw (cross recessed, M4x10)	
	39	NHCD04000	Hexagon nut (M4)	
	40	WSAD04000	Spring lock washer (M4)	
	41	SPDD04008	Pan head screw (cross recessed, M4x8)	
	42	SGAD03004	Flat head screw (cross recessed head, M3x4)	
	43	WPAD03000	Plain washer (M3)	
	44	WPBD03000	Plain washer (M3)	
	45	SGAD03006	Flat head screw (cross recessed head, M3x6)	
	46	NHCD03000	Hexagon nut (M3)	



HAPPY Industrial Corporation

HEAD OFFICE 5-9-16, Miyamachi, Yamagata-city 990-0057, Japan
Phone: 023-623-7111 FAX: 023-623-2654

TOKYO OFFICE 2-9-5, Taito, Taito-Ku, Tokyo 110-0016, Japan
Phone: 03-3834-0711 Telex: 265-5482
FAX: 03-3835-8917 Cable: HAPPYSEW TOKYO

HAPPY INDUSTRIAL GmbH Am Kummerling, 10-12
6501 Bodenheim am Rhein
Germany
Phone: 06135-8101 FAX. 0211-161630

Model	HCS-1201-30
Machine No.	